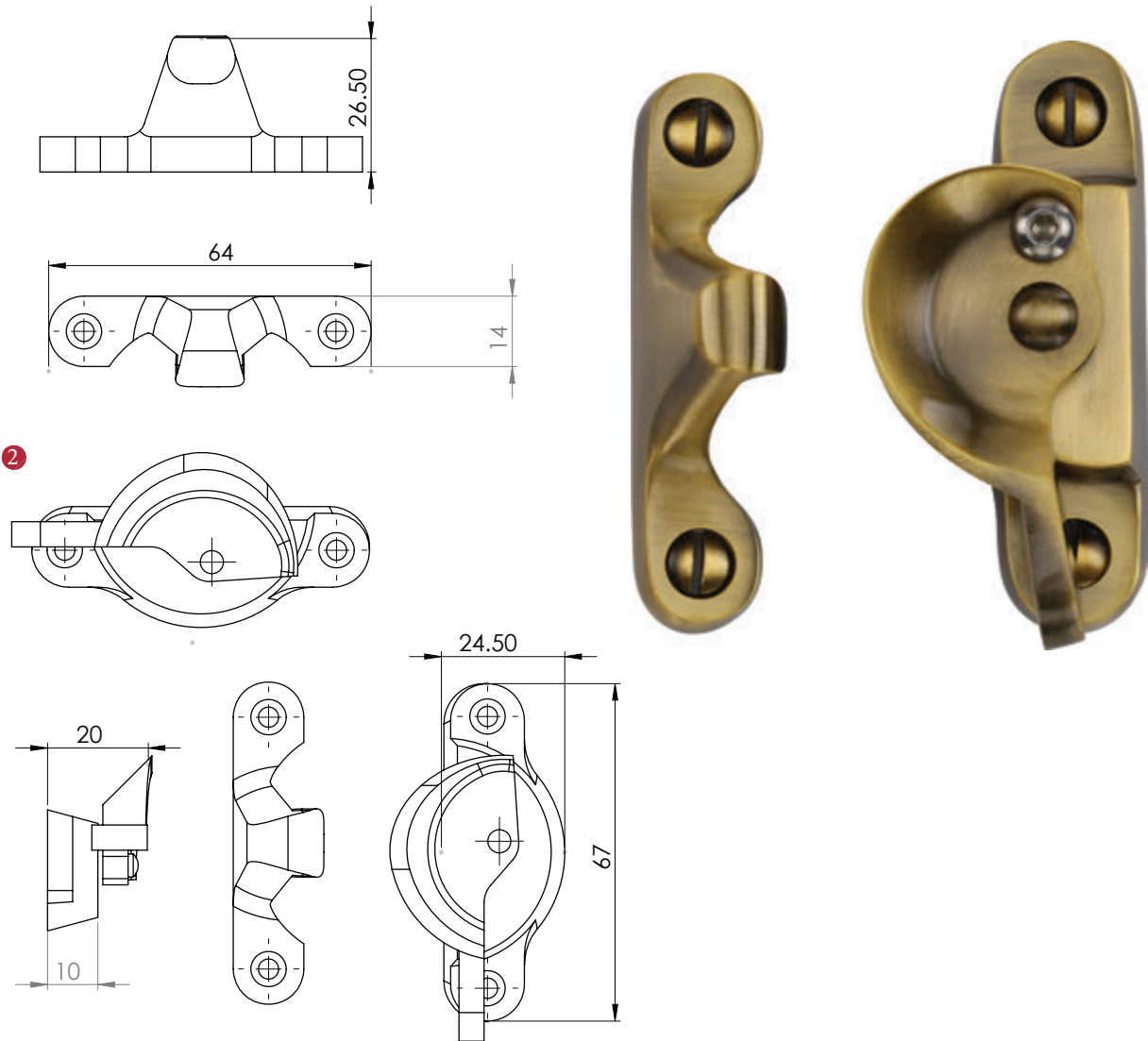





V2060 FITCH PATTERN SASH FASTENER



2 Dimensions: see the outlines given above

3  4 x Brass Screw
 Steel pilot screw

FINISHES

-  Polished Brass finish
-  Polished Chrome finish
-  Antique Brass finish
-  Satin Chrome finish
-  Satin Nickel finish
-  Matt Bronze finish
-  Satin Brass finish
-  Polished Nickel finish

Overview

1 Sash fastener illustrated

2 (General dimensions of sash fastener)

3 Supplied with:
4 x 25mm Brass Screws
1 x Steel pilot screw


M Marcus Ltd., Dudley

Product Code

V2060

Material

Solid Brass

Available in all Heritage Brass finishes.

Sizes shown are in mm and approximate. We reserve the right to amend where necessary and without any prior notice.