



# MODEL DCFS150/EN3 INSTALLATION INSTRUCTIONS

Double Action Floor Spring NHO c/w Standard Spindle (Interchangeable)

<b>DCFS150/EN3SSS</b> D/A Floor Spring NHO Size 3 (150kg) c/w Standard Length Spindle (Interchangeable)			
	<b>Eurospec Architectural Hardware Ltd.</b> Stancliffe Street, Mill Hill, Blackburn, BB2 2QR		
1121 - CPD - AD5037	12		
EN 1154:1996 + A1:2002	3	8	3 1 1 3

## ENDUROMAX

### IMPORTANT INFORMATION

#### SELECTING THE CORRECT FLOOR SPRING TO SUIT DOOR SIZE

This product is non handed and is suitable for installation with LH or RH single and double action doors.	EN Size	Max. Width of Door	Max. Door Weight
	EN3	950mm	150kg
EN4	1100mm	250kg	

#### SUITABLE FOR USE ON FIRE DOORS

When installing to a timber fire door, ensure Intumescent Accessory Pack INT2500 is used.

#### GREATER FLOOR CLEARANCE REQUIRED

Interchangeable spindles are available to compensate for most construction floor levers. Refer to rear page of these instructions for range of extended spindles available.

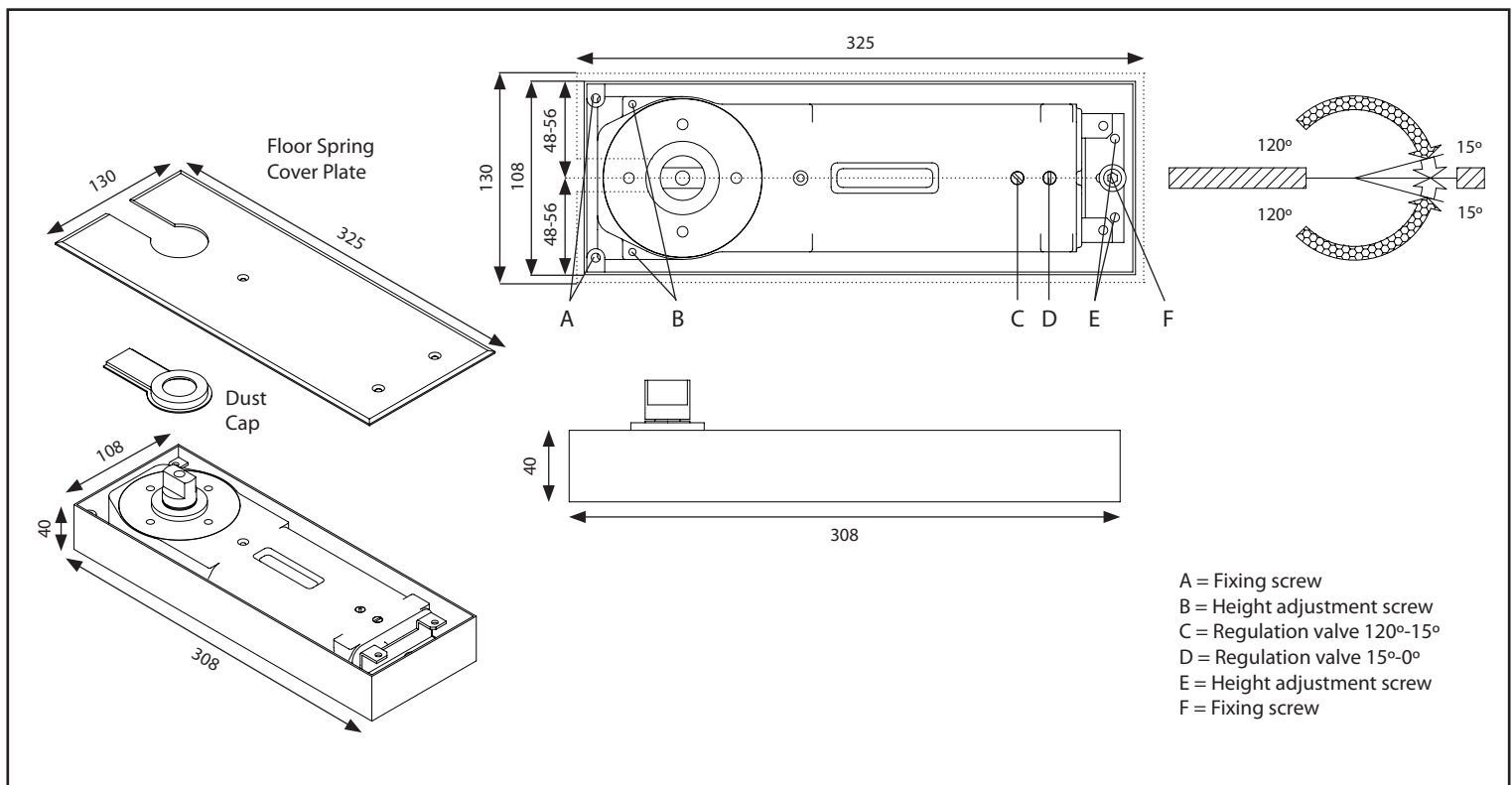
**PLEASE LEAVE THESE INSTRUCTIONS WITH THE END USER**

*The Home of Quality Architectural Ironmongery*

Tel: 01228 511030 Fax: 01228 511885 Web: [www.carlislebrass.com](http://www.carlislebrass.com)

## INSTALLATION - ANGLE OF OPENING LIMITED TO 120°

1. Ensure that the door and surrounding frame are in good condition and flush with one another.
2. Prepare floor to accept cement box.
3. To adjust the position of floor spring in cement box (7mm length x 10mm width x 4mm height) loosen fixing screws A and F. Move floor spring to required position and use screws B and E to adjust height. Retighten screws A and F. The floor spring should be in the centre of the cement box.
4. Using the key dimensions below, prepare the mortise in the top of door to accept the top centre, and the underside of the door to accept the bottom strap.  
**NOTE:** The diagrams are not a template, but please ensure the dimensions are followed accurately.
5. If installing to a fire door, ensure you use accessory INT2500 Intumescent Pack. Increase the morticing accordingly. Refer to instructions supplied with INT2500 for guidance.
6. Secure the top centre into the frame and ensure that it is aligned correctly with floor spring.
7. Secure adjustable top centre plate into the top of the door and the bottom strap into the bottom of the door.
8. If you are fitting an optional extended spindle to the floor spring, please do so now, using instructions supplied with the spindle. Push dust cap onto the spindle.
9. Carefully mount door onto floor spring. Open door to gain access to top centre. Align pivot pin with the bearing of the adjustable top centre plate and lower into bearing by turning pivot pin adjustment screw clockwise, ensuring that the pivot pin is fully engaged. Fit top centre cover plate with the 2 screws provided.
10. Check operation of the door for alignment and adjust the top centre if necessary.
11. To adjust closing speed, valve C controls from 120° to 15° and valve D controls from 15° to 0°. Clockwise direction will decrease, Anti-clockwise will increase the speeds.
12. Secure floor spring cover plate, using the 3 fixing screws supplied.  
 If you are using an optional finish cover plate, fit instead of the one supplied.





## INTERCHANGEABLE SPINDLES

Where a greater floor clearance is required, the following Interchangeable Spindles are available:

<b>DCXF108A</b>	Interchangeable Spindle + 5mm
<b>DCXF108B</b>	Interchangeable Spindle + 10mm
<b>DCXF108C</b>	Interchangeable Spindle + 15mm
<b>DCXF108D</b>	Interchangeable Spindle + 20mm
<b>DCXF108E</b>	Interchangeable Spindle + 25mm
<b>DCXF108F</b>	Interchangeable Spindle + 30mm

## MAINTENANCE

Regularly check floor spring for tight fit and any signs of wear.

Fixing screws must be fully secure, tighten if necessary and replace any parts that have become defective.

The door must be checked for closing speed and smooth action once a year.