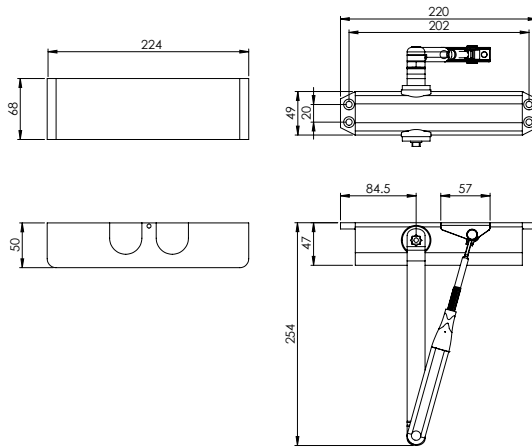


Overhead Door Closer Template Adjustable Size 2-4

CDG420/PNP
CDG420/SNP
CDG420/SV



- Certifire approved in Fig 1, Fig 6 & Fig 61 installation applications
- Suitable for timber fire doors (FD30, FD60 & FD120)
- CE marked
- Suitable for inward and outward opening doors
- Matching cover and Fig 6 bracket supplied as standard
- Suitable for commercial and domestic use
- 10 year mechanical guarantee
- Max door width 1100mm (Fig 1)
- Max weight 80kg (Fig 1)
- Max door width 950mm (Fig 6 & Fig 61)
- Max weight 60kg (Fig 6 & Fig 61)



| BS EN 1154: 1996 | 1121 - CPR - AD5462 | | | | | |
|------------------|---------------------|---|--------|---|---|---|
| Fig 1 Fitting | 3 | 8 | 4 2 | 1 | 1 | 3 |
| Fig 6 Fitting | 3 | 8 | 3 | 1 | 1 | 3 |
| Fig 61 Fitting | 3 | 8 | 3 2 | 1 | 1 | 3 |

+44 1228 511030
+44 1228 511885
Carlisle Brass Ltd, Parkhouse Road, Carlisle, CA3 0JU
enquiries@carlislebrass.com
www.carlislebrass.com