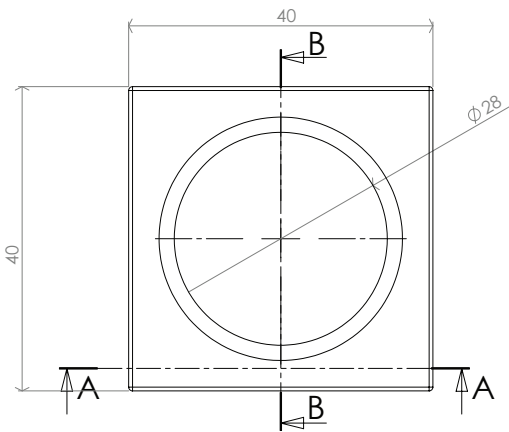


C-4465 CABINET KNOB

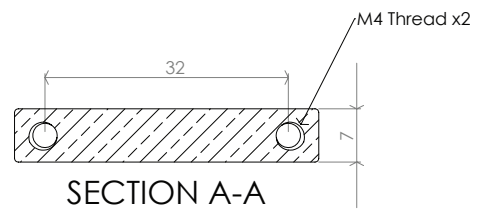
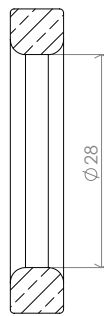


2

1

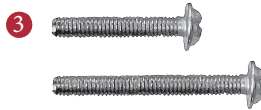


SECTION B-B



SECTION A-A

2 Dimensions:
see the outlines given above



2 x M4 (28mm length)
2 x M4 (40mm length)

FINISHES

-  Antique Brass finish
-  Matt Bronze finish
-  Satin Brass finish
-  Polished Nickel finish
-  Satin Nickel finish
-  Polished Brass finish
-  Polished Chrome finish

Overview

① Cabinet knob illustrated	② (General dimensions of cabinet knob)	③ Supplied with: 2 x M4 (28mm length) 2 x M4 (40mm length)
----------------------------------	---	---


M Marcus Ltd., Dudley

Product Code

C-4465

Material

Solid Brass

Available in all Heritage Brass finishes.

Sizes shown are in mm and approximate.
We reserve the right to amend where
necessary and without any prior notice.