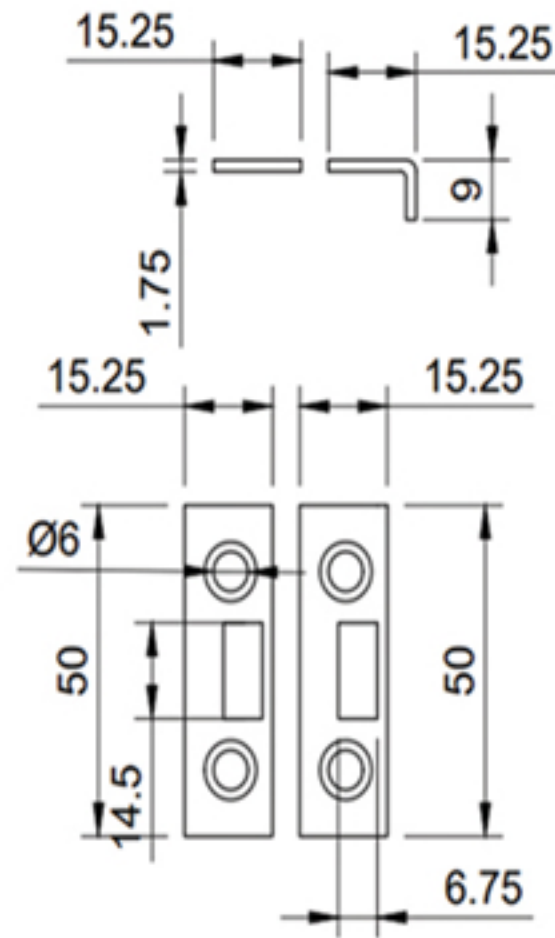
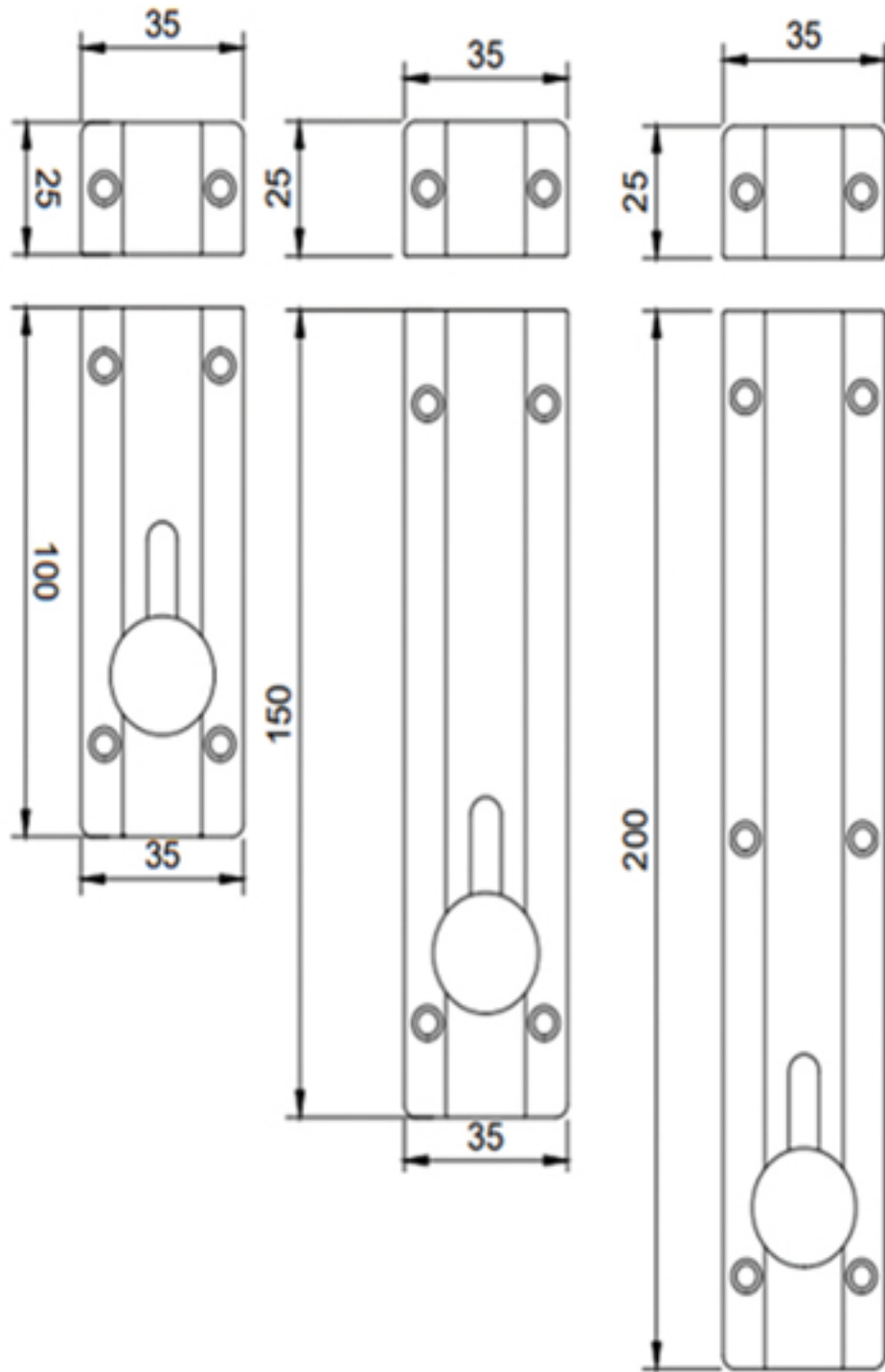


Technical Drawings



Angle Plate



Flat Plate



Staple

