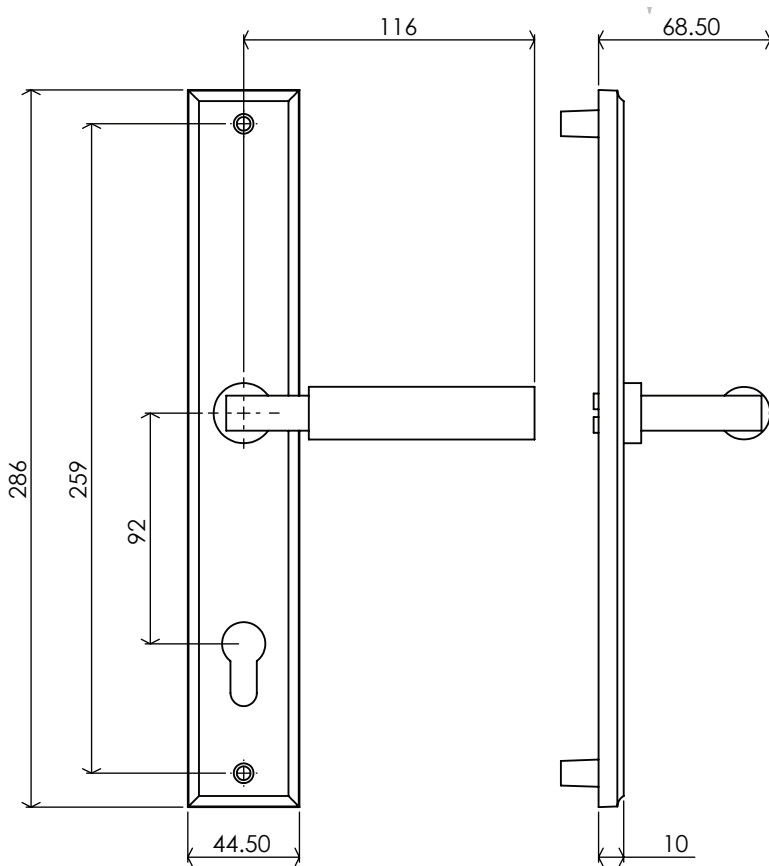
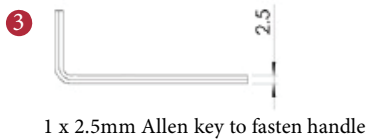
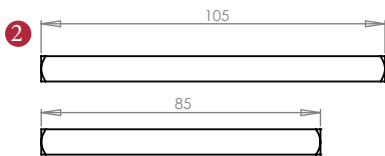


BAUHAUS MULTI-POINT HANDLE

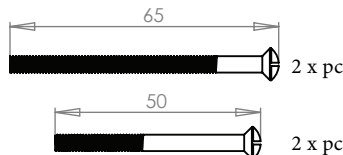


FINISHES

-  Matt Bronze finish
-  Satin Brass finish
-  Satin Nickel finish
-  Antique Brass finish
-  Satin Chrome finish
-  Polished Chrome finish



Spindle: 7.8mm x 85mm & 105mm 1 pc each
85mm spindle suitable for 35 & 45mm door thickness
& 105mm spindle suitable for 54mm door thickness.



Overview	① Multi-point dimensions illustrated	② 2 x Spindle. 1 each of: 85, & 105mm, x 7.8mm	③ Supplied with: 2.5mm Allen key 2 x 65mm & 2 x 50mm threaded screw
----------	--------------------------------------	--	---


M Marcus Ltd., Dudley

Product Code	Material	Available in all Heritage Brass finishes.	Sizes shown are in mm and approximate. We reserve the right to amend where necessary and without any prior notice.
MP2259	Solid Brass		