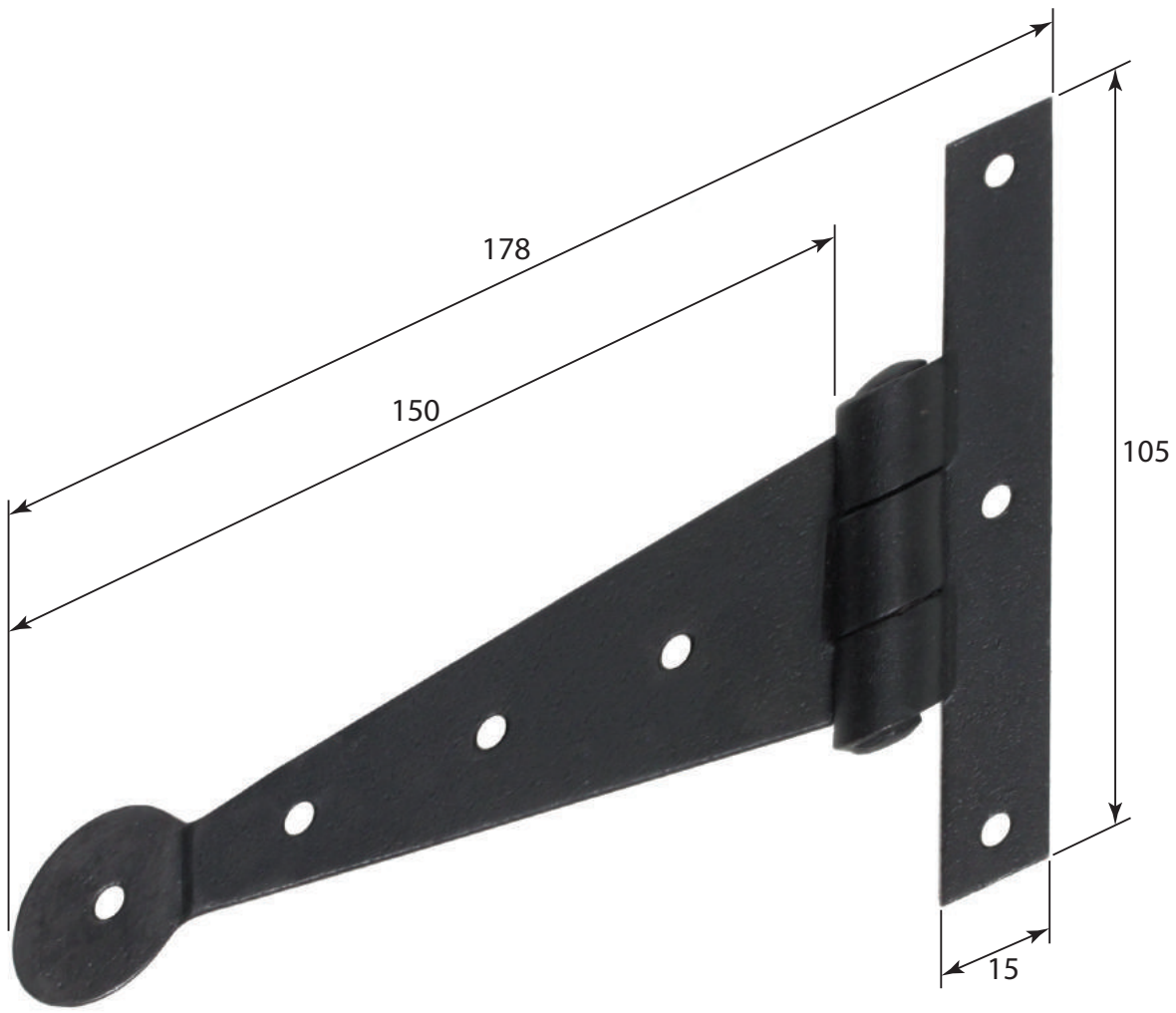


P/N.FB131 & NFS731 **ALL DIMENSIONS IN MM UNLESS STATED**

THE CONTENTS OF THIS DRAWING ARE COPYRIGHT AND SHOULD NOT BE REPRODUCED WITHOUT THE PERMISSION OF DJH ENGINEERING



				QTY	
			<b>DESCRIPTION</b>	<b>DRG.</b>	D. Urwin
			Penny End Hinge	<b>DATE</b>	03/10/18
1	03/10/18		<b>LT REF.</b>	<b>SCALE</b>	N/A
<b>ISSUE</b>	<b>DATE</b>	<b>REVISION</b>	<b>MATL.</b>	<b>CODE</b>	FB131 & NFS731
			Forge & Stonebridge Handle Hardware/Stonebridge-CAD/ Dim Dwgs/SB-H-PE-131.pdf		
			Forged Steel		