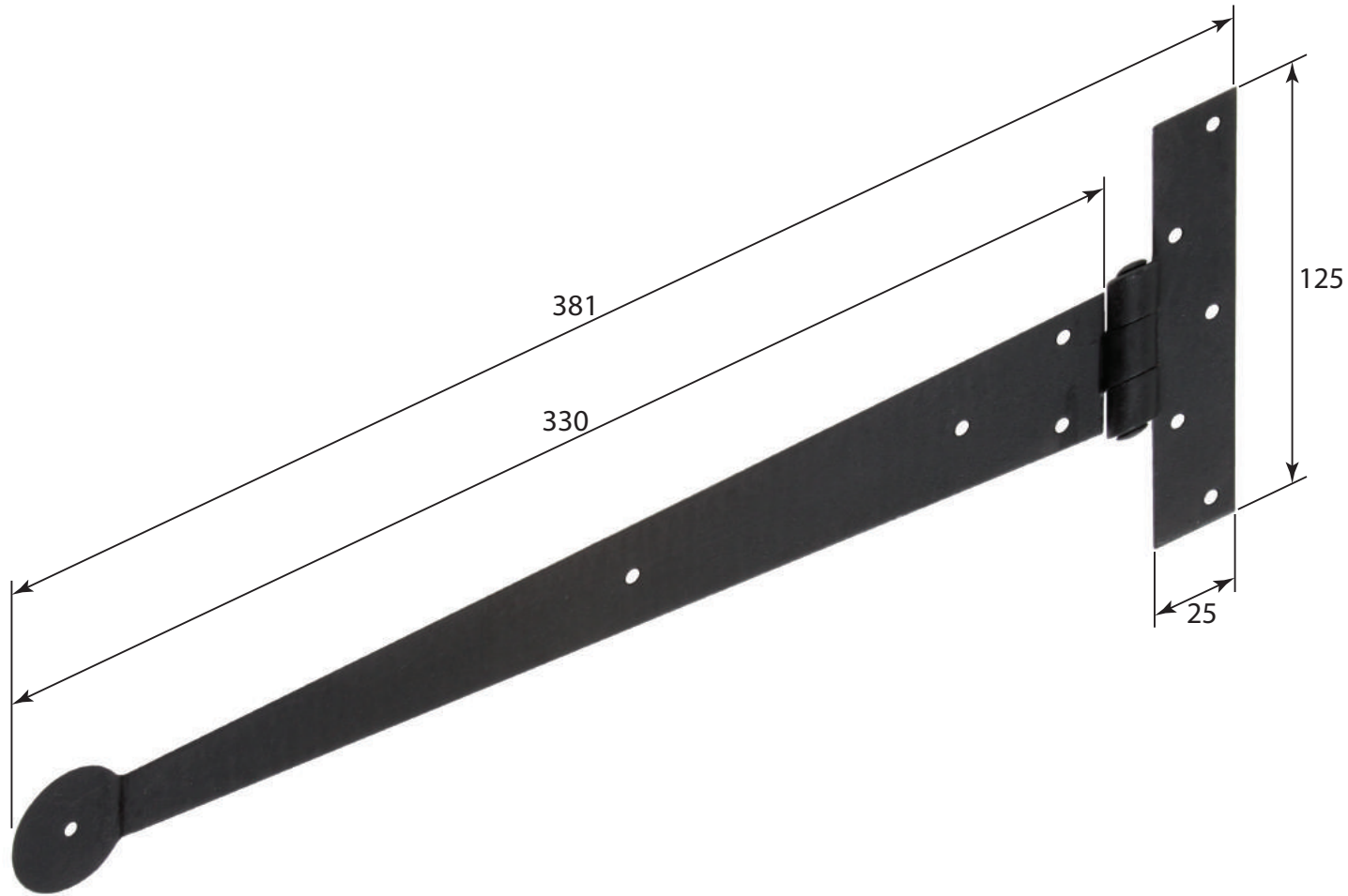


FB133 & NFS1203

ALL DIMENSIONS IN
MM UNLESS STATED

THE CONTENTS OF THIS DRAWING ARE COPYRIGHT AND SHOULD NOT BE
REPRODUCED WITHOUT THE PERMISSION OF DJH ENGINEERING



NOTE: FOR ACTUAL COLOUR REFER TO MAIN WEB PAGE FOR THESE ITEMS.
COLOUR SHOWN HERE IS FOR DIMENSION PURPOSES ONLY.

						QTY	
			DESCRIPTION		DRG.	D. Urwin	
			Penny End Hinge		DATE	03/10/18	
1	03/10/18		LT REF.	H:\Finess & Stonebridge Handle Hardware\Stonebridge-CAD\ Dim Dwgs\FB133&SS1203.pdf	SCALE	N/A	
ISSUE	DATE	REVISION	MATL.	Forged Steel	CODE	FB133 & NFS1203	