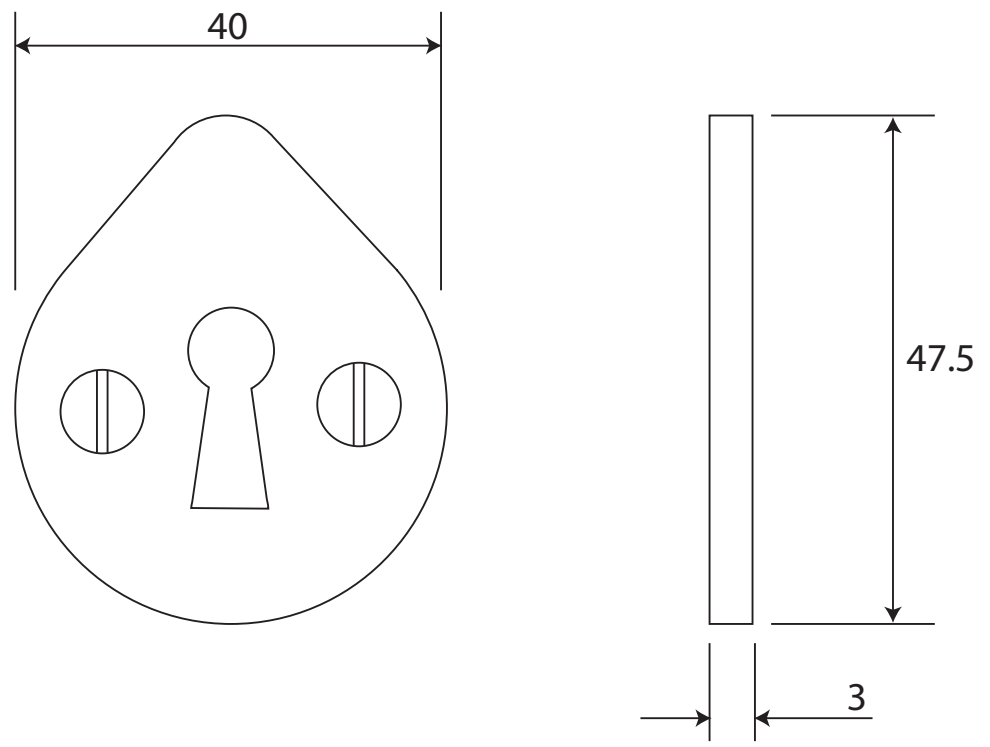


P/N FB115 & NFS715 **ALL DIMENSIONS IN MM UNLESS STATED**

THE CONTENTS OF THIS DRAWING ARE COPYRIGHT AND SHOULD NOT BE REPRODUCED WITHOUT THE PERMISSION OF DJH GROUP LTD.



					QTY
		FOR ACTUAL COLOUR REFER TO MAIN WEB PAGE FOR THIS ITEM.	DESCRIPTION		DRG.
			Oval Keyhole Escutcheon - Uncovered		DATE
1	18/10/18	COLOUR HERE FOR DIMENSION PURPOSES ONLY.	LT REF.	H:\Finess & Stonebridge Handle Hardware\Stonebridge-CAD\ Dim Dwgs\pdf	SCALE
ISSUE	DATE		MATL.	Forged Steel	CODE
					N/A
					FB155 & NFS715