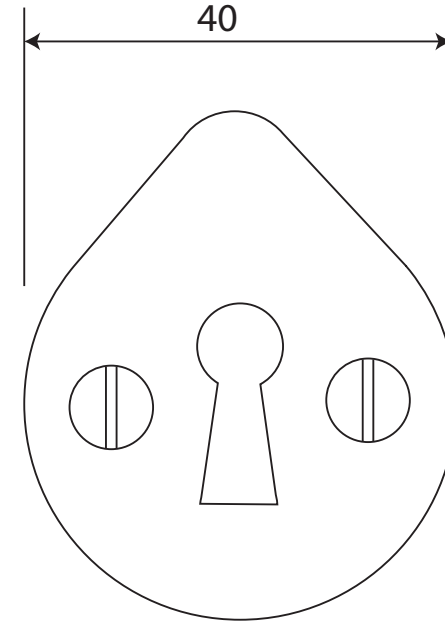
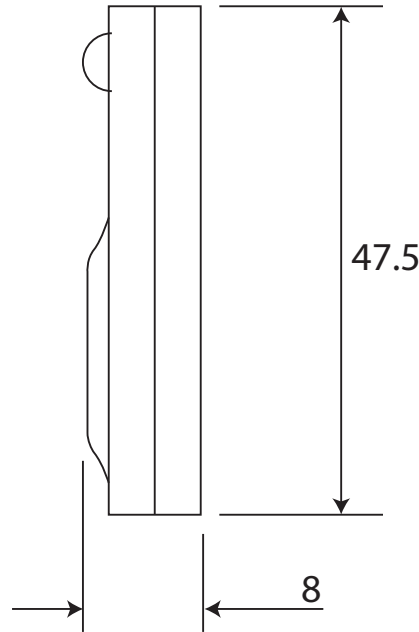
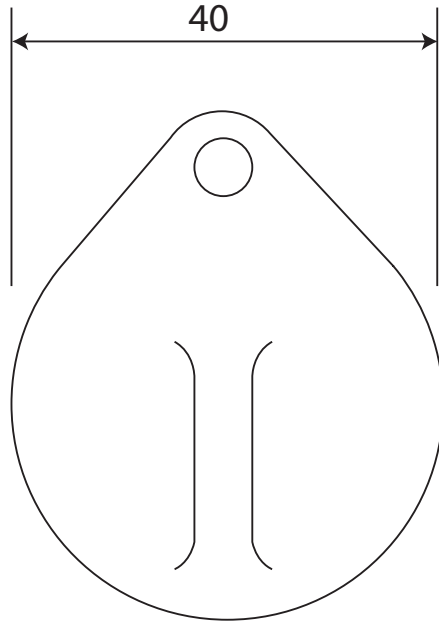


P/N FB116 & NFS716

**ALL DIMENSIONS IN
MM UNLESS STATED**

THE CONTENTS OF THIS DRAWING ARE COPYRIGHT AND SHOULD NOT
BE REPRODUCED WITHOUT THE PERMISSION OF DJH GROUP LTD.



					QTY	
		FOR ACTUAL COLOUR REFER TO MAIN WEB PAGE FOR THIS ITEM.	DESCRIPTION		DRG.	D. Urwin
			Oval Keyhole Escutcheon - Covered		DATE	18/10/18
1	18/10/18	COLOUR HERE FOR DIMENSION PURPOSES ONLY.	LT REF.	H:\Finess & Stonebridge Handle Hardware/Stonebridge-CAD/ Dim Dwgs/pdf	SCALE	N/A
ISSUE	DATE		MATL.	Forged Steel	CODE	FB116 & NFS716