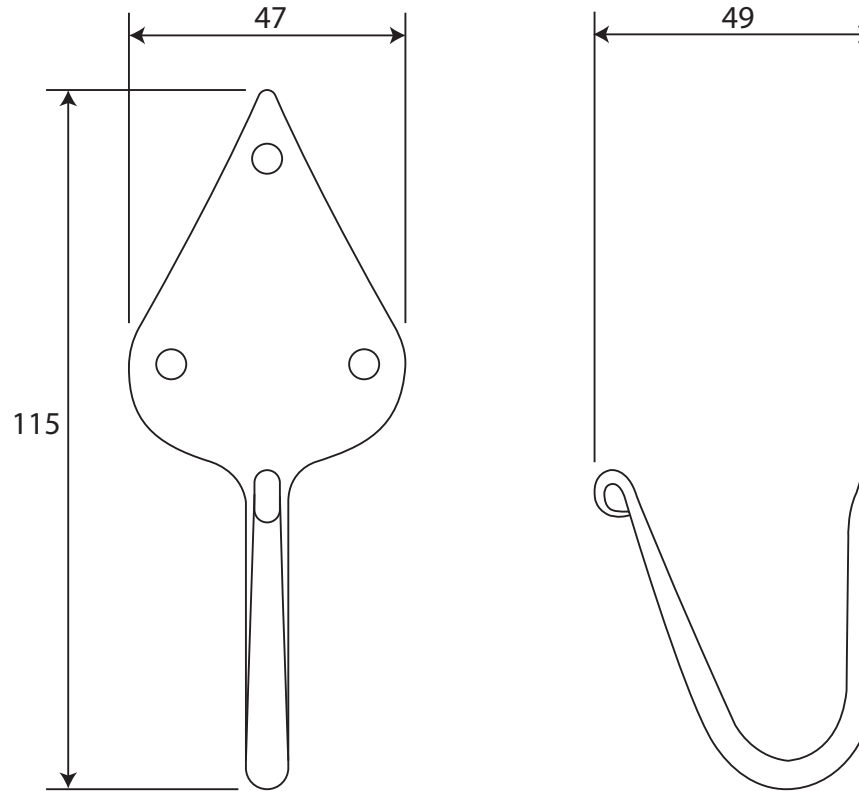


P/N FB117 & NFS721

ALL DIMENSIONS IN
MM UNLESS STATED

THE CONTENTS OF THIS DRAWING ARE COPYRIGHT AND SHOULD NOT
BE REPRODUCED WITHOUT THE PERMISSION OF DJH GROUP LTD



					QTY	
		FOR ACTUAL COLOUR REFER TO MAIN WEB PAGE FOR THIS ITEM.	DESCRIPTION		DRG.	D. Urwin
			Coat Hook.		DATE	17/10/18
1	17/10/18	COLOUR HERE FOR DIMENSION PURPOSES ONLY.	LT REF.	H:\Fines & Stonebridge Handle Hardware/Stonebridge-CAD/ Dim Dwgspdf	SCALE	N/A
ISSUE	DATE		MATL.	Forged Steel	CODE	FB117 & NFS721