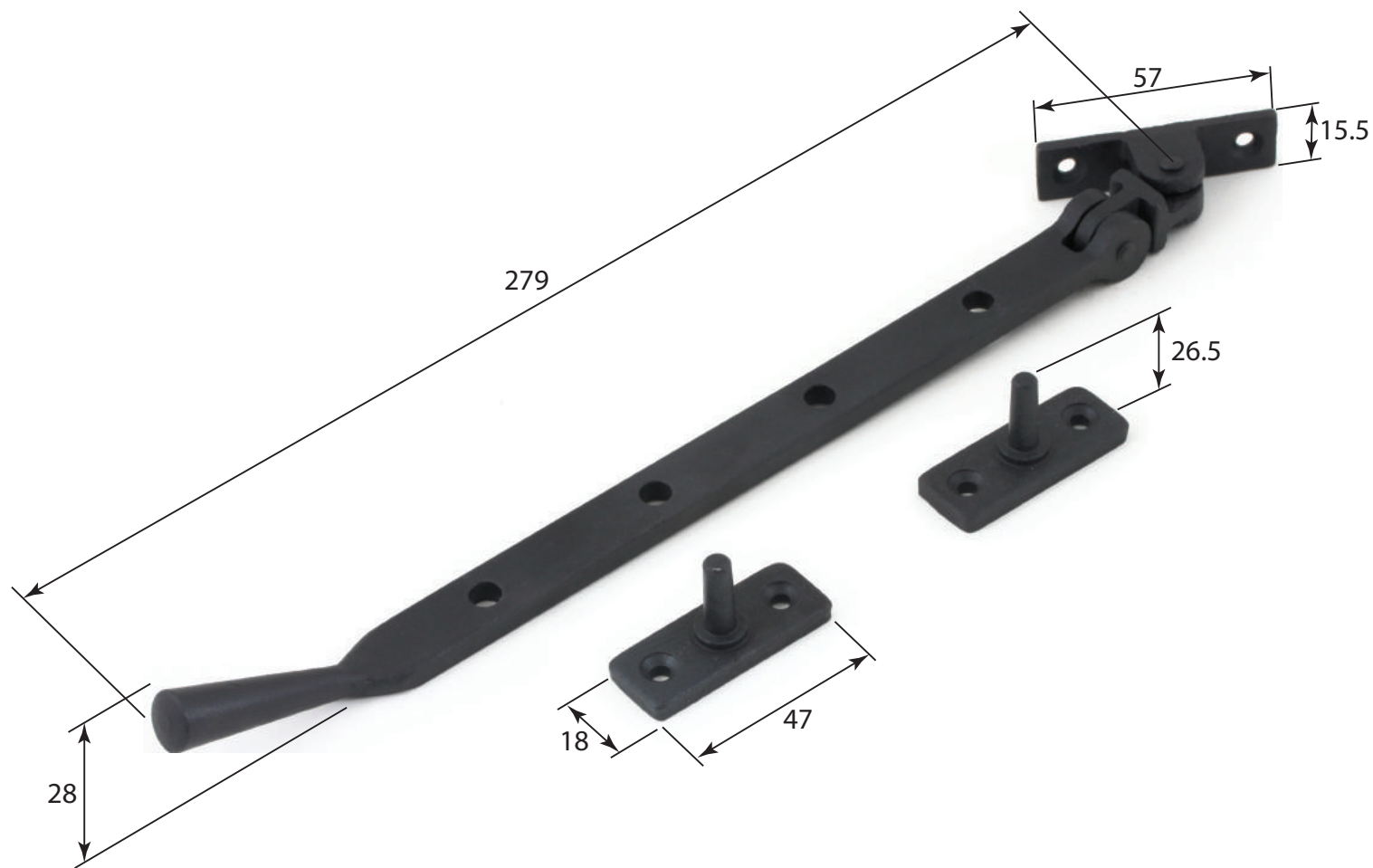


P/N. FB201
SS801

ALL DIMENSIONS IN
MM UNLESS STATED

THE CONTENTS OF THIS DRAWING ARE COPYRIGHT AND SHOULD NOT BE
REPRODUCED WITHOUT THE PERMISSION OF DJH ENGINEERING



				QTY	
			DESCRIPTION	DRG.	D. Urwin
			Window Casement Stay - 250mm	DATE	29/10/18
1	29/10/18		LT REF.	SCALE	N/A
ISSUE	DATE	REVISION	MATL.	CODE	FB201 & SS801
			H:\Finess & Stonebridge Handle Hardware/Stonebridge-CAD/ Dim Dwgs/SB-CS-PAD-201.pdf		
			Forged Steel		