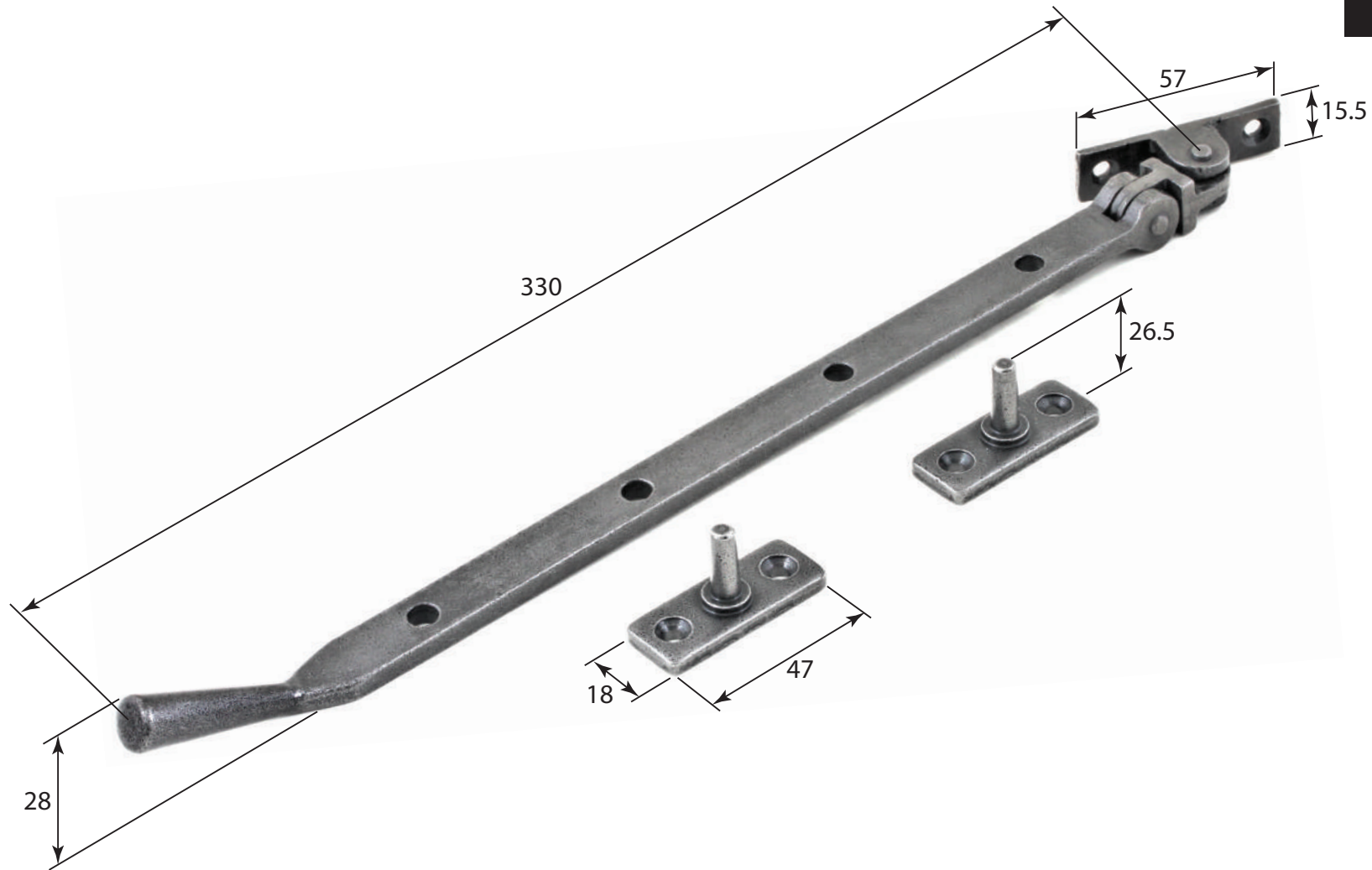


FB202 & SS802

ALL DIMENSIONS IN
MM UNLESS STATED

THE CONTENTS OF THIS DRAWING ARE COPYRIGHT AND SHOULD NOT
BE REPRODUCED WITHOUT THE PERMISSION OF DJH GROUP LTD.



| | | | | | QTY | |
|--------------|-------------|--|------------------------------|---|--------------|---------------|
| | | FOR ACTUAL COLOUR REFER TO MAIN WEB PAGE FOR THIS ITEM. | DESCRIPTION | | DRG. | D. Urwin |
| | | | Padstow Window Casement Stay | | DATE | 29/10/18 |
| 1 | 29/10/18 | COLOUR HERE FOR DIMENSION PURPOSES ONLY. | LT REF. | H:\Finess & Stonebridge Handle Hardware/Stonebridge-CAD/ Dim Dwgs/pdf | SCALE | N/A |
| ISSUE | DATE | | MATL. | Forged Steel | CODE | FB202 & SS802 |