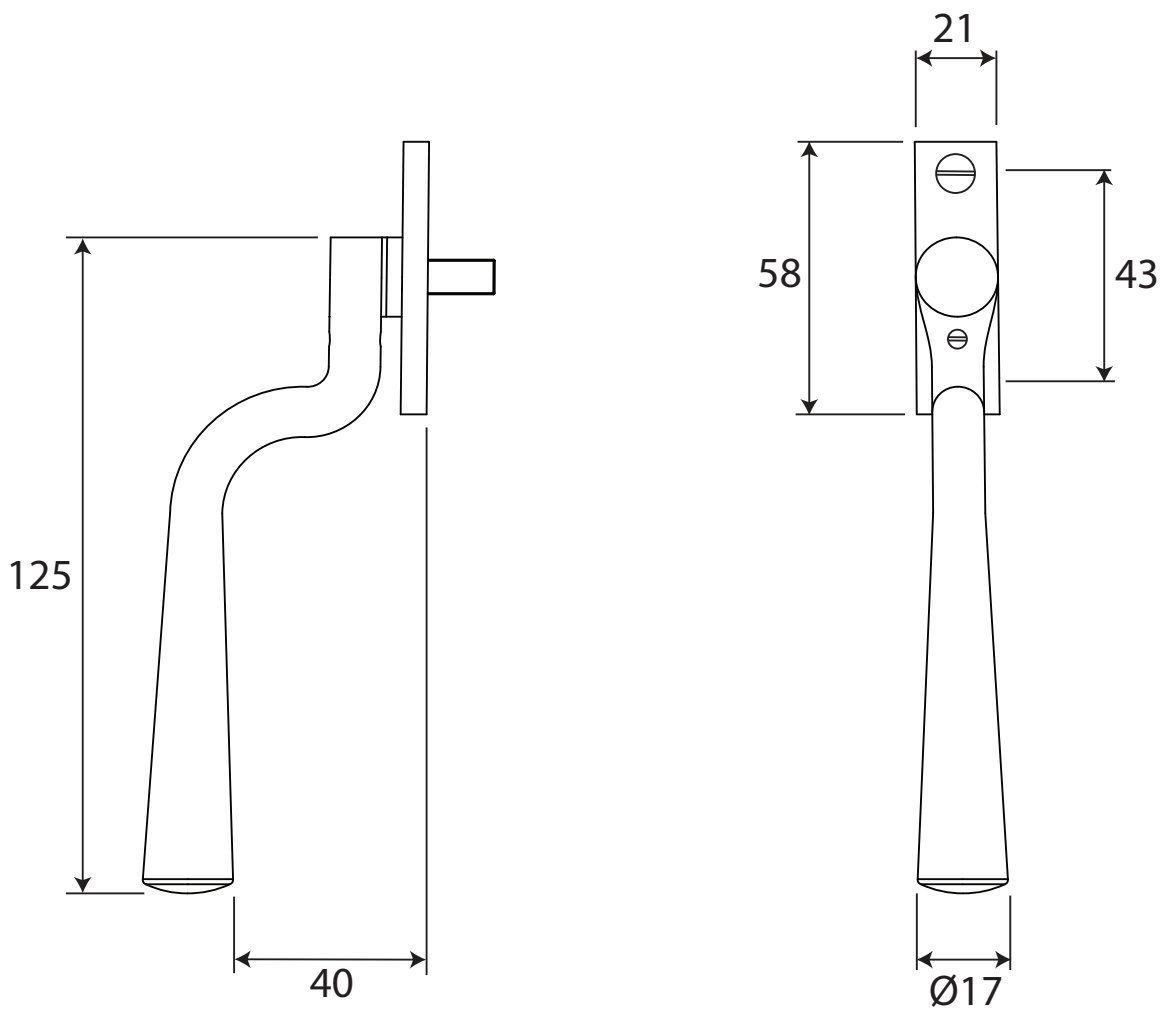


P/N.FB242 & NFS828 **ALL DIMENSIONS IN MM UNLESS STATED**
 THE CONTENTS OF THIS DRAWING ARE COPYRIGHT AND SHOULD NOT BE REPRODUCED WITHOUT THE PERMISSION OF DJH ENGINEERING



						QTY
				DESCRIPTION	DRG.	D. Urwin
				Padstow Espagnolette Handle.	DATE	22/10/18
1	22/10/18		LT REF.	H:\Finess & Stonebridge Handle Hardware\Stonebridge-CAD\ Dim Dwgs\SB-ESP-PAD-242.pdf	SCALE	N/A
ISSUE	DATE	REVISION	MATL.	Forged Steel	CODE	FB242 & NFS828