

TECHNICAL SPECIFICATION SHEET

ZPSALP



CODE	FINISH
ZPSALP	Satin Stainless

PRODUCT SPECIFICATIONS

- Dimensions - 300 X 75mm
- 304 Grade material
- Solid stainless, investment cast handle
- Supplied with 20mm wood screws
- 10 year mechanical guarantee
- BS EN 1634-1

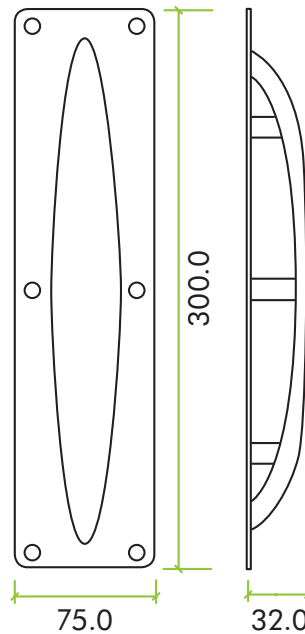
STANDARDS



SUITABILITY



TECHNICAL



CODE	DESCRIPTION	FINISH	ADDITIONAL INFO.
ZPSALP	Anti-ligature style pull handle on backplate	SS	
	<p>For more information please contact us today: Zoo Hardware Ltd, Unit B, Dukes Drive, Kingmoor Park North, Carlisle, Cumbria CA6 4SH</p> <p>Call: 01228 672900 Fax: 01228 672928 Email: sales@zoo-hardware.co.uk Web: www.zoohardware.co.uk</p>	 	
			<p><small>URS is a member of Registrar of Standards (Holdings) Ltd.</small></p>