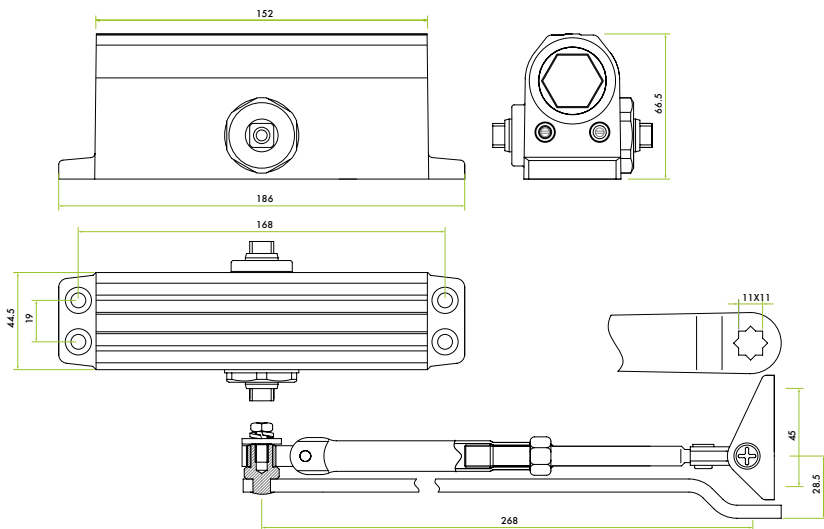


# ZDC003 Series

## Overhead Door Closer



## TECHNICAL SPECIFICATION

### PRODUCT FEATURES

- **Power size:** Fixed power size 3
- **Body material:** Aluminium
- **Arm set type / material:** Scissor / Steel
- **Functions:** Fig 1 / Fig 61 - Closing speed only, Fig 6 - Closing and latching speed
- **Maximum door weight:** 60kgs
- **Maximum door width:** 950mm
- **Performance Testing:** Successfully tested in accordance with the requirements of BS EN1154: 1997

**Classification:** Door mount pull side (Fig 1), door mount push side (Fig 6), frame mount push side (Fig 61).

3	8	3	1	1	3
---	---	---	---	---	---

### FIRE TESTING

- Successfully fire tested in accordance with the requirements of BS EN1634-1, suitable for use on 30, 60, 90 and 120-minute timber fire doors

### CERTIFICATION

- CE marked (Certificate AD7999)
- UKCA marked (Certificate AD7986)
- CERTIFIRE approved (Certificate CF6103)



2812-CPR-AD7999



1121-CPR-UK-AD7986



### FINISHES

- Silver (SE)

\*Other finishes available upon request

CODE	DESCRIPTION	FINISH
ZDC003-SE	Overhead door closer, fixed power size 3, matching finish armset, Fig 6 bracket, Silver finish	Silver (SE)
ZDC003-NO-BKT-SE	Overhead door closer, fixed power size 3, matching finish armset, <b>No Fig 6 bracket</b> , Silver finish	Silver (SE)
ZDC003-FIG6-BKT-SE	Fig 6 bracket only t/s ZDC003 door closer, Silver finish	Silver (SE)
	<p><b>For more information please contact us today:</b>            ERA Home Security T/A Zoo Hardware,            Unit B, Dukes Drive, Kingmoor Park North,            Carlisle, Cumbria CA6 4SH</p> <p><b>Call: 01228 672900</b>  <b>Fax: 01228 672928</b>  <b>Email: sales@zoo-hardware.co.uk</b>  <b>Web: www.zoohardware.co.uk</b></p>	 <p>FM 668401 EMS 668402</p>