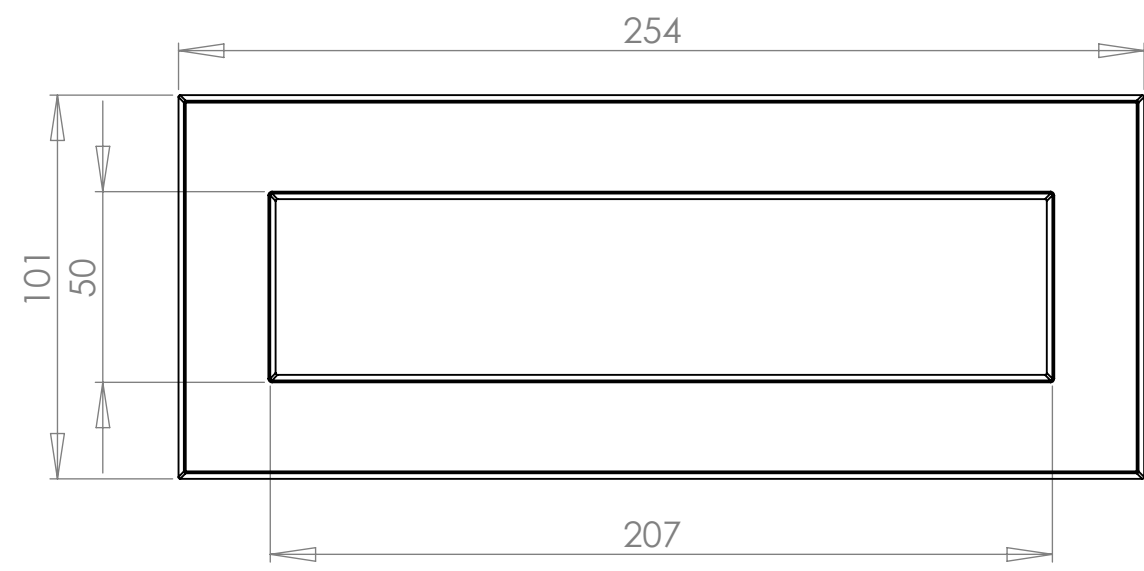
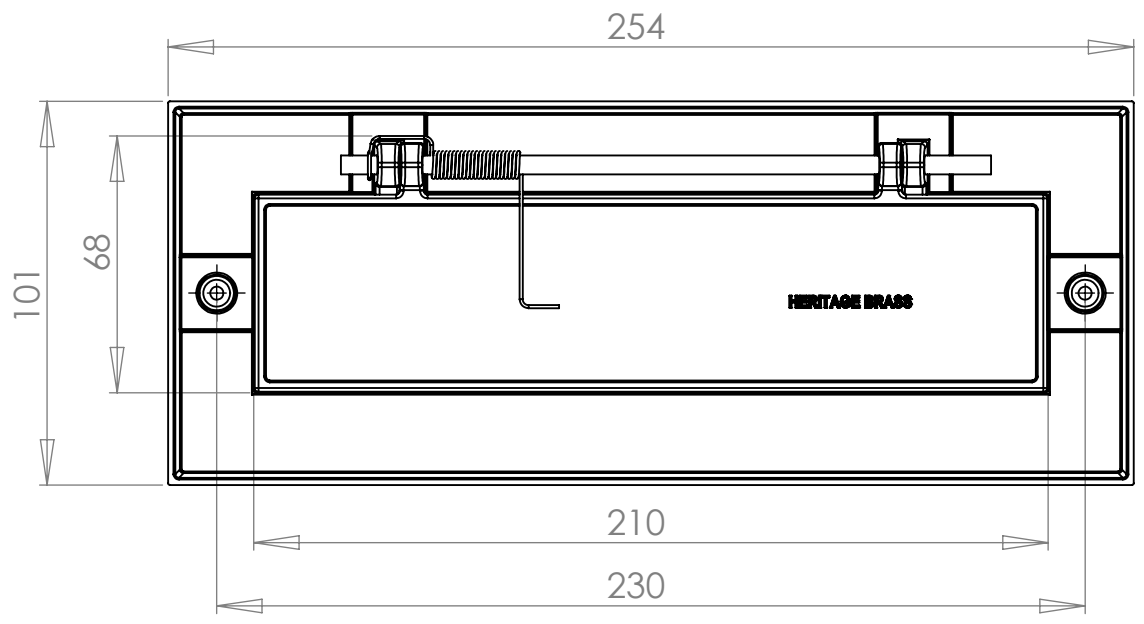


8 7 6 5 4 3 2 1

D
C
B
A

D
C
B
A



M. Marcus Ltd.

| Date | Design By | Size | V-850 254 X 101 |
|------------|-----------|------|-----------------|
| 20.09.2019 | V.K.S | 1:2 | |

8 7 6 5 4 3 2 1