



Size 2-4



1100mm
(max door width)

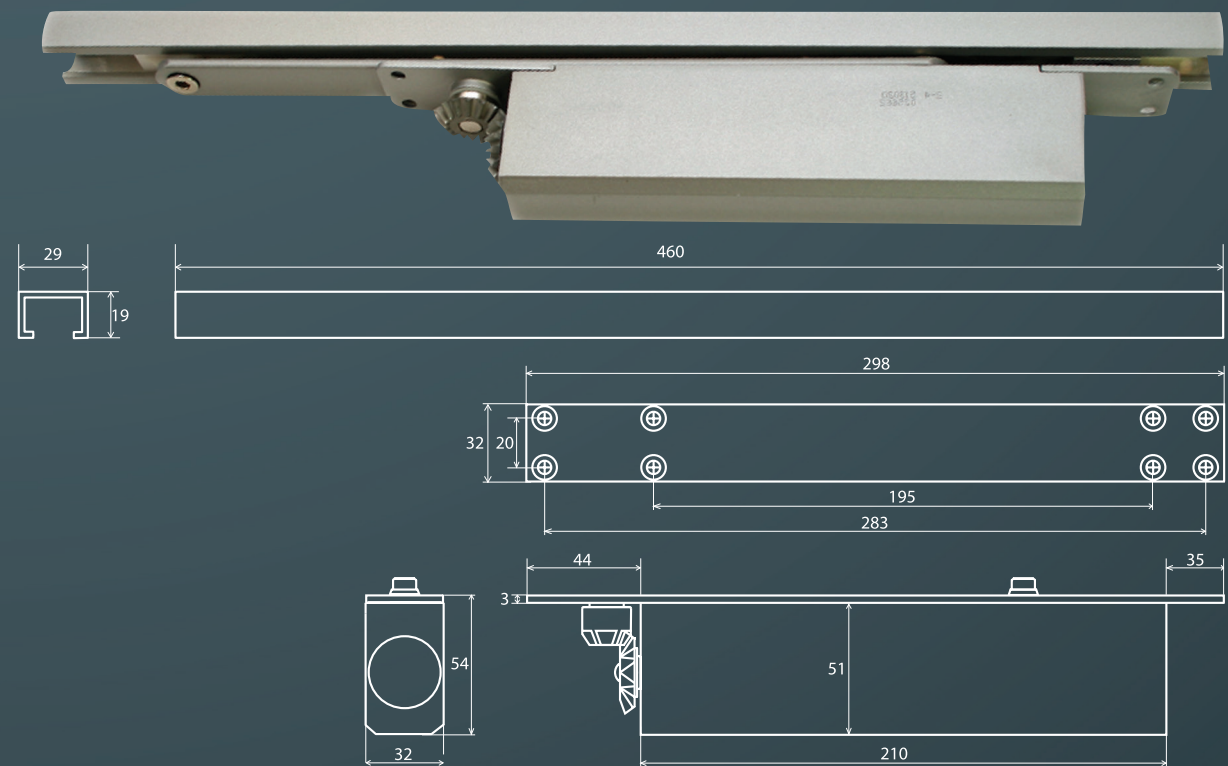


80kg
(max door weight)



25 Years

ITS6.224 - Size 2-4 Concealed Cam Action Door Closer



Product Overview:

A high efficiency, cam action concealed slide arm closer.

Suitable for most application and particularly apartment entrance fire doors where aesthetics is paramount.

Variable power size 2-4.

Testing & Standards

- Certifire CF6141
- Included in successful fire test to EN1634
- CE marked against EN1154
- UKCA marked against EN1154
- Suitable for use on timber fire doors
- -44mm - 30 minutes fire resistance
- -54mm - 60 minutes fire resistance with suitable intumescent pack
- Safe in use
- High corrosion resistance

BS8300 - Approved Document M

The ITS6.224 door closer provides exceptional ease of use by reducing the resistance encountered when opening the door. The ITS6.224 has an opening force less than 30N at 0-30° and less than 22.5N at 30° - 60° therefore meeting the requirements of BS8300 - Approved Document M.

Specification		ITS6.224
Closing force (Fig 1)	EN size	2-4
Door size (max)	Width (mm)	1100
	Weight (kg)	80
	Length (mm)	210
Body dimensions	Height (mm)	54
	Depth (mm)	32
	Application	Concealed
Mechanism	Cam	✓
Angle of opening		105°
Non handed		✓
Power adjustment by spring		✓
Adjustable sweep speed		✓
Adjustable latch speed		✓

Options		ITS6.224
Track hold-open device (not suitable for use on fire doors)		✓*
Mechanical backstop		✓
Intumescent pack for fire door installation		✓

* these options are not covered by CE

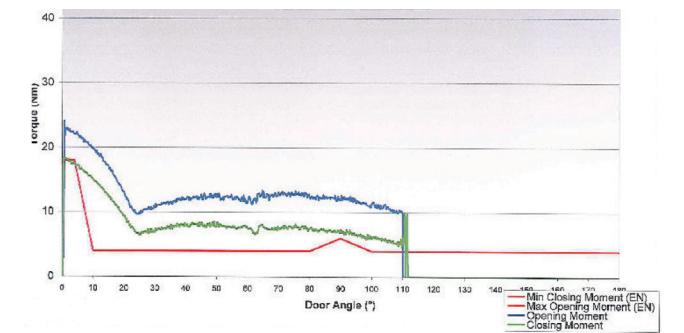
Finish options		ITS6.224
Guide rail	SIL	✓
	SSS	✓
	PB	✓
	PSS	✓
	RAL/Lacquered	✓
	Special plated finishes	✓

Tested to EN1154 ITS6.224

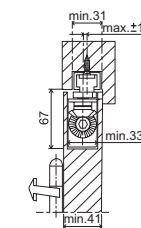


BS8300 - Approved Document M ITS6.224

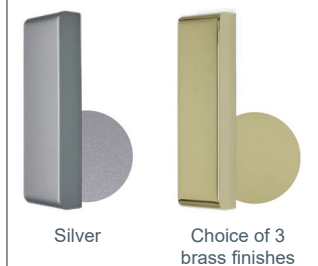
Meets opening force requirements



Mounting dimensions



Guide rail finishes



CE certificate

