

# PROSECURE DOOR HANDLE RANGE

Enhanced security door handles that provide protection against the latest methods of forced entry and comply to the new enhanced security performance standard TS007: 2012.



**Anti-Grip**  
chamfered backplate shoulders provide mole-grip resistance

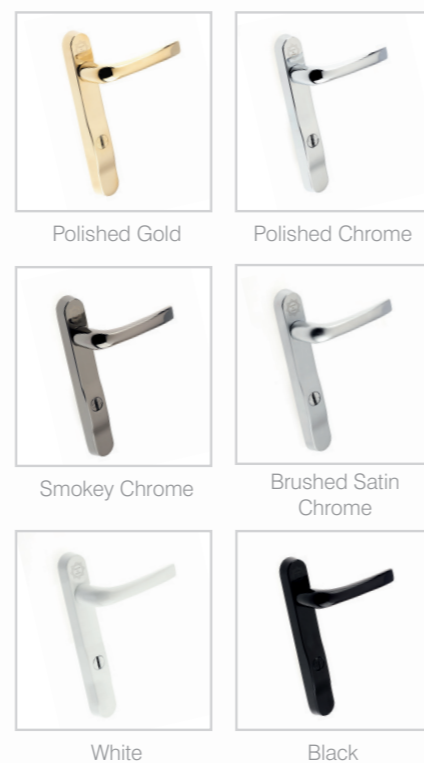
**Steel Reinforcement Technology**  
concealed within the standard backplate size & provides anti-jemmy resistance

**Anti-Drill**  
rotating disc shields the cylinder face from attack, preventing a drill bit from penetrating the cylinder

**Anti-Snap**  
integrated cylinder guard, visible within the raised backplate design, protects against handle snapping & encases the cylinder to protect it from attack - no need for an anti-snap Euro cylinder

**Visual Deterrent**  
Secured by Design logo etched onto backplate

## 6 COLOUR OPTIONS



# SECURITY PROTECTION BURGLARS CAN SEE COMBINED WITH CONCEALED PATENTED REINFORCEMENT TECHNOLOGY THEY CAN'T

Acting as a visual deterrent the Secured by Design logo etched onto the ProSecure handle backplate offers passive security protection.

Chamfered backplate shoulders provide anti-grip protection for mole grip resistance.

An integrated cylinder guard is visibly raised within the backplate and encases the cylinder to provide anti-snap protection. In addition, the cylinder face is also shielded with a slotted, rotating disc providing an effective barrier against cylinder drilling and deplugging. For ease of fabrication the disc is captive within the backplate.

A deep-drawn steel subframe provides reinforcement inside the zinc alloy backplate, providing strength and stability without the need to lengthen the backplate.

Ergonomic universal lever/lever or lever/pad options are available to suit both left or right handed doors. Finger grips offer comfort during use.

Handlesets are available in two backplate sizes, 220mm and 240mm, to suit most locking systems. A spring module is fitted as standard for use with sprung and unsprung door locks.

ProSecure door handles are supplied complete with three sizes of fixing screws and two spindles to suit all common door thicknesses.

The ProSecure door handle range has been successfully tested to TS007:2012 and has achieved BSI's two star Kitemark™ accreditation.

The handle range has also been independently tested at the Mila Test Centre, Exova Warrington and British Standards Institute to the operational reliability requirements of PAS 023, the enhanced security requirements of PAS 024, has achieved the salt spray test requirements of BS EN 1670 achieving grade 5 480 hours, and meets the Official Police Preferred Specification requirements of Secured by Design.

Additionally the range has been tested to BSEN1906: grade 4, successfully achieving 200,000 cycles under load.

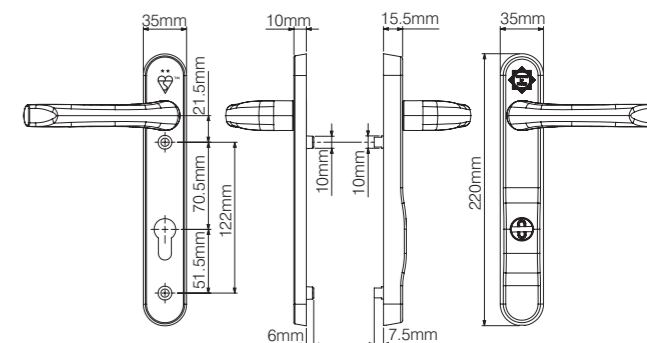
ProSecure door handles are suitable for PVCu, Composite, GRP and timber doors and are available in a choice of 6 finishes that suite with other Mila window and door products for a coordinated look.



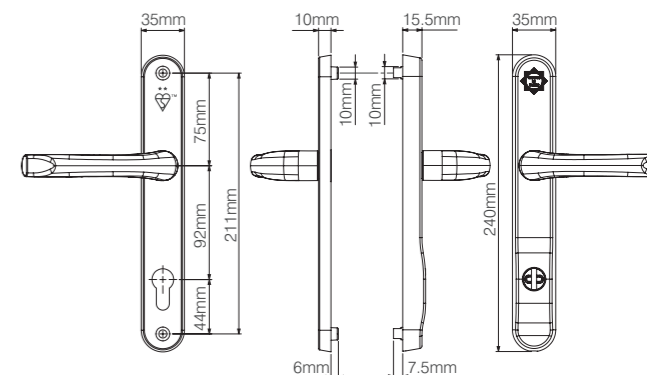
## PART NUMBERS

Description	PZ	Backplate Length	Lever	Polished Chrome	Polished Gold	Smokey Chrome	Brushed Satin Chrome	Black	White
ProSecure Door Handle	92	220 mm	Lever/Lever	050121	050124	050125	050122	050127	050128
ProSecure Door Handle	92	240 mm	Lever/Lever	050201	050204	050205	050202	050207	050208
ProSecure Door Handle	92/62	240 mm	Lever/Pad	050231	050234	050235	050232	050237	050238

220mm Backplate 92 PZ



240mm Backplate 92 PZ



240mm Backplate 92/62 PZ

