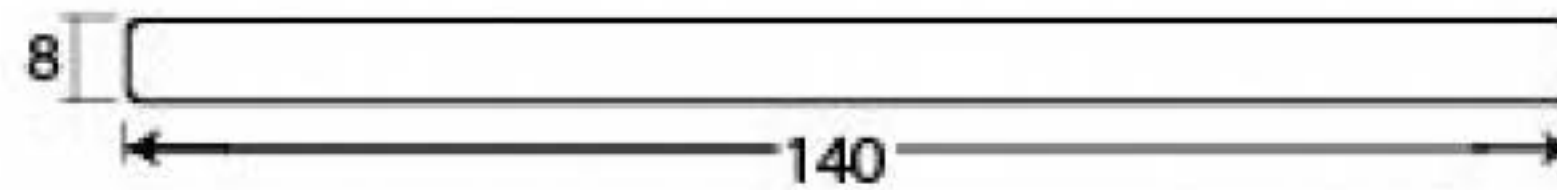
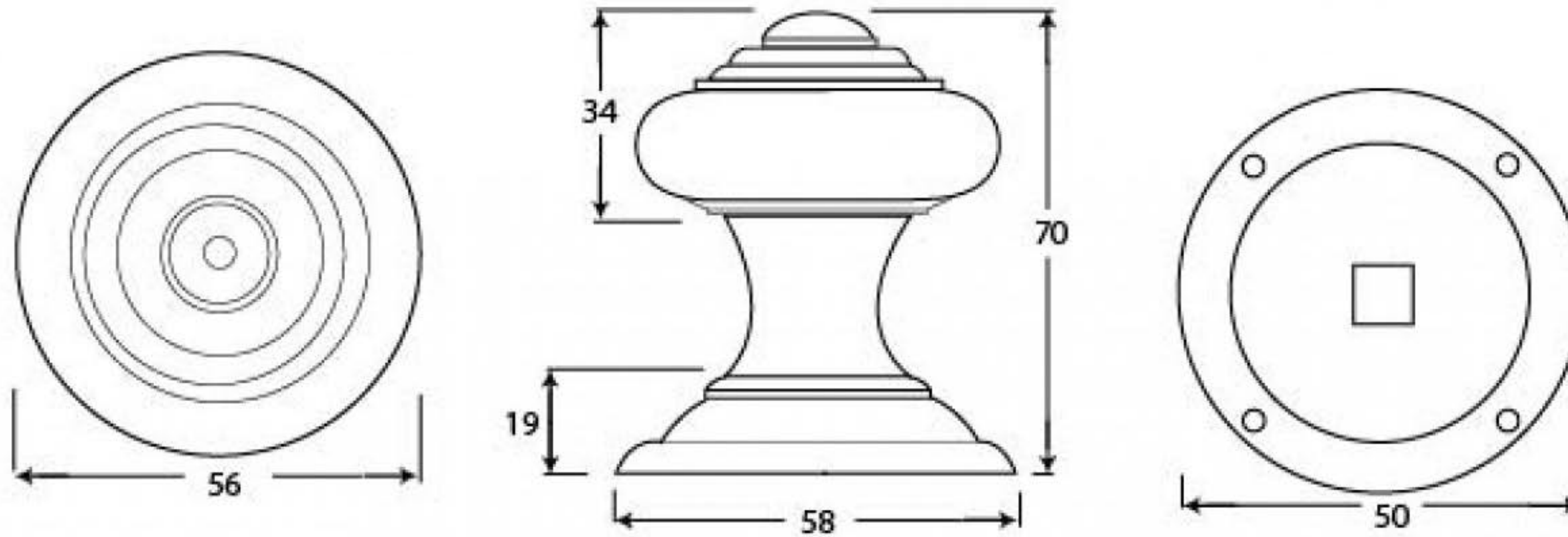


PRODUCT CODE 90296

3/4" (19mm)

x8
gauge 4 (3mm)



HANDFORGED
TRADITIONAL
IRONMONGERY



Due to the hand crafted nature of our products all measurements are approximate and should be used as a guide only