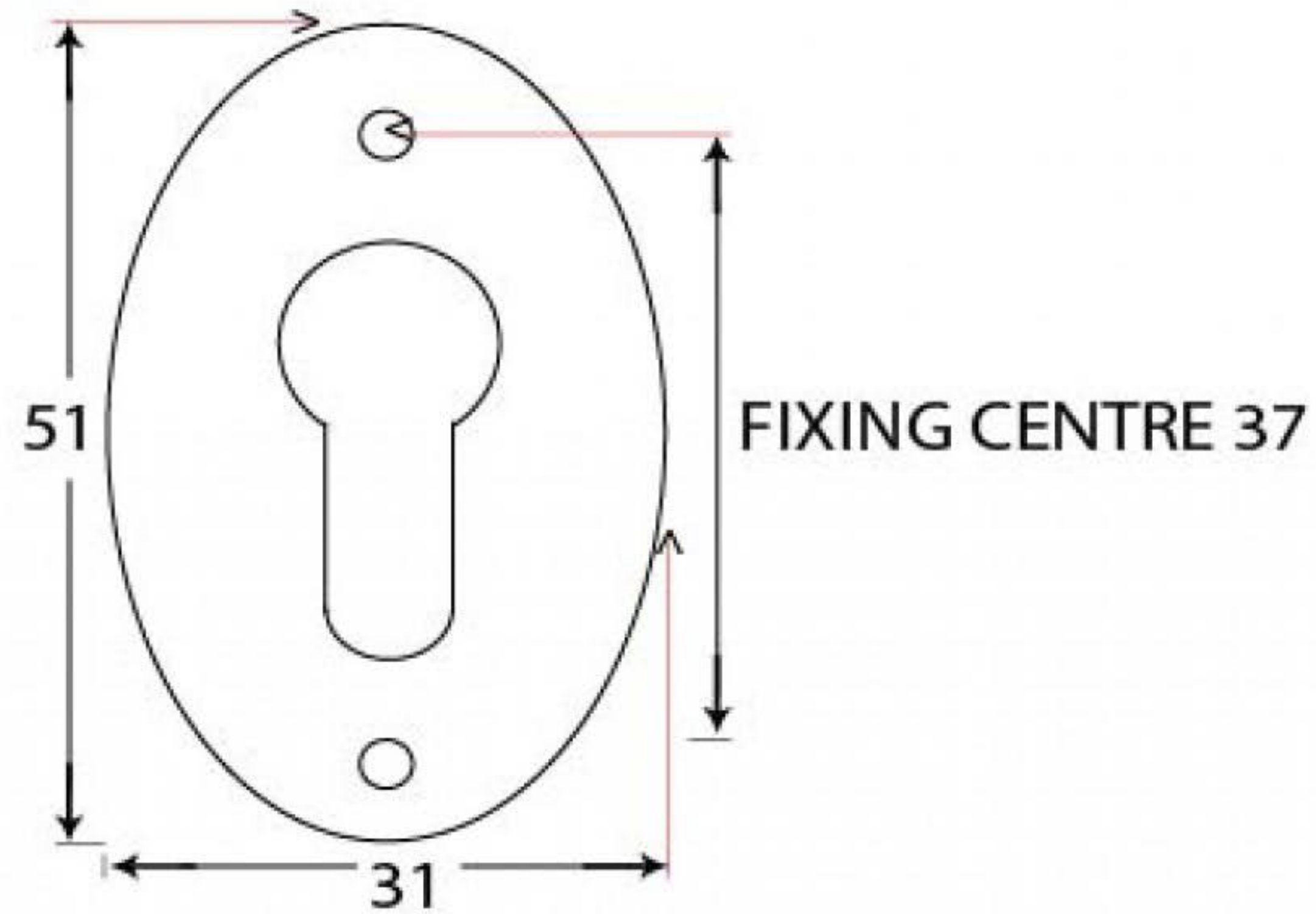


PRODUCT CODE 91501

1/2" (12mm)
x 2
gauge 4 (3mm)



2.5 []

HANDFORGED
TRADITIONAL
IRONMONGERY



Due to the hand crafted nature of our products all measurements are approximate and should be used as a guide only