

# Planeo 60 Pro Comfort Sliding Door System

## Product code PL60GW1SSO

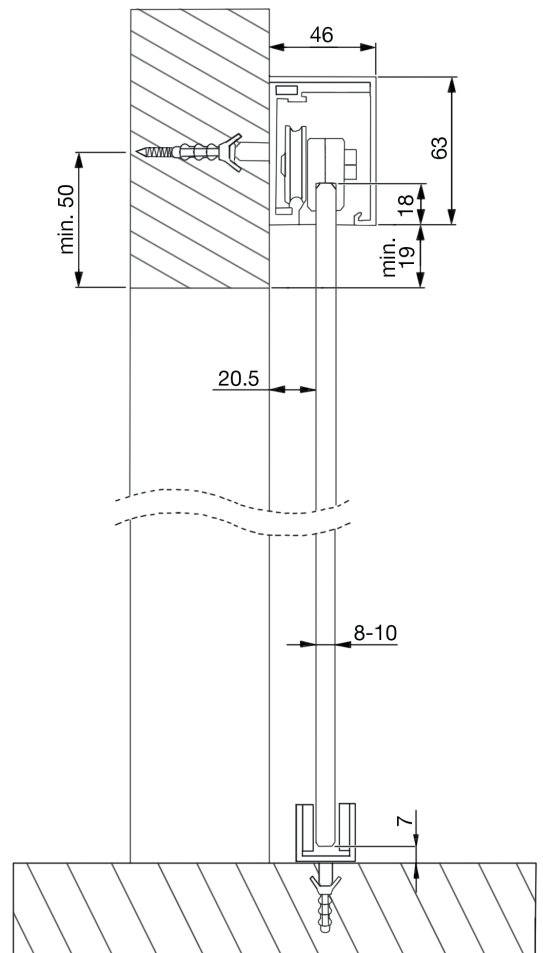
Manual sliding door system with running rails sliding invisibly in the profile. Can be used for 1 or 2 leaf sliding glass doors. Glass panes are securely clamped and do not require any special preparation. The soft-closing operation gently guides the doors into their end position and holds them there. This system is prepared for installation to the wall and can be easily installed by frontal attachment of the door. Tested in accordance with DIN EN 1527:2013.



## Specification Chart



Rail Type	Profile
Wall Mounted	•
Ceiling Mounted	–
Height Adjustable	•
Max Door Weight	60 kg
Min Door Width	850 mm
Suitable for 8mm Glass	•
Suitable for 10mm Glass	•
Suitable for Wooden Doors	–
Min Wooden Door Thickness	N/A
Max Wooden Door Thickness	N/A
Finish	SSO
Rail Dimensions (WxH)	46 x 63 mm
1 Leaf Option	•
2 Leaf Option	•
Soft Close	•
Standard Length	2000, 4000 mm
Optional Length (special order)	2500 mm
DIN EN 1527	100,000 cycles
Wall Distance (door-wall)	Glass: 20.5 mm
	–
Optional Skirting/Architrave Spacer Kit	12.5 mm



## Spacer kit product code PL060SPC125