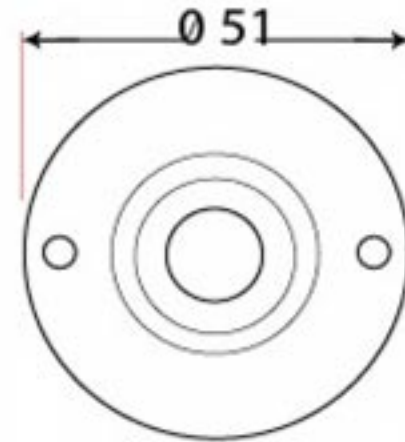
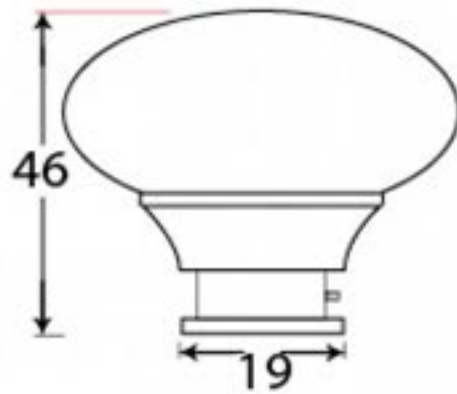
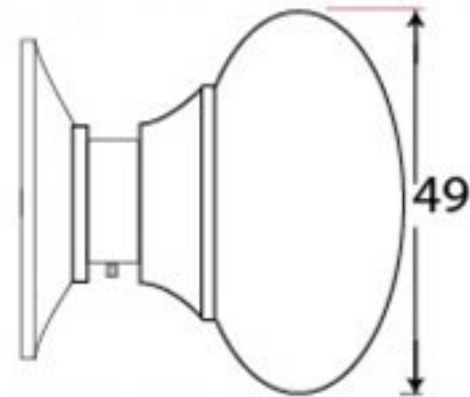
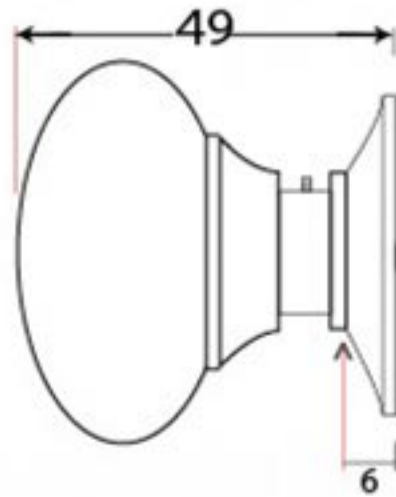
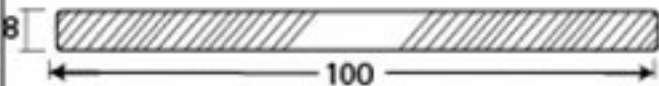
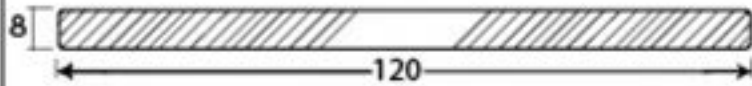


PRODUCT CODE 91925



3/4" (19mm)  
x4  
gauge 4 (3mm)

A detail drawing showing the texture of the handle head, which consists of four rows of raised ridges. The width of the ridges is 3/4" (19mm) and the height is gauge 4 (3mm).



HANDFORGED  
TRADITIONAL  
IRONMONGERY



Due to the hand crafted nature of our products all measurements are approximate and should be used as a guide only