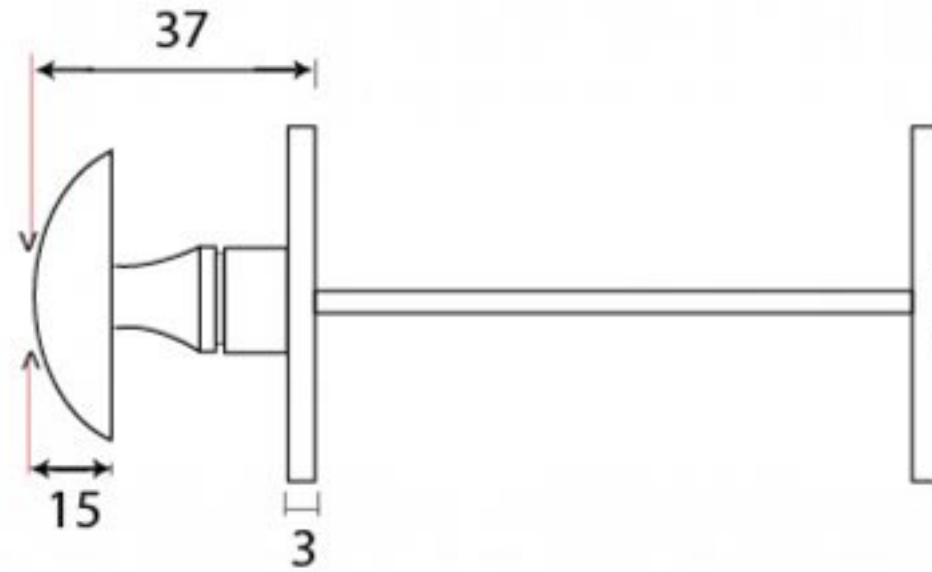
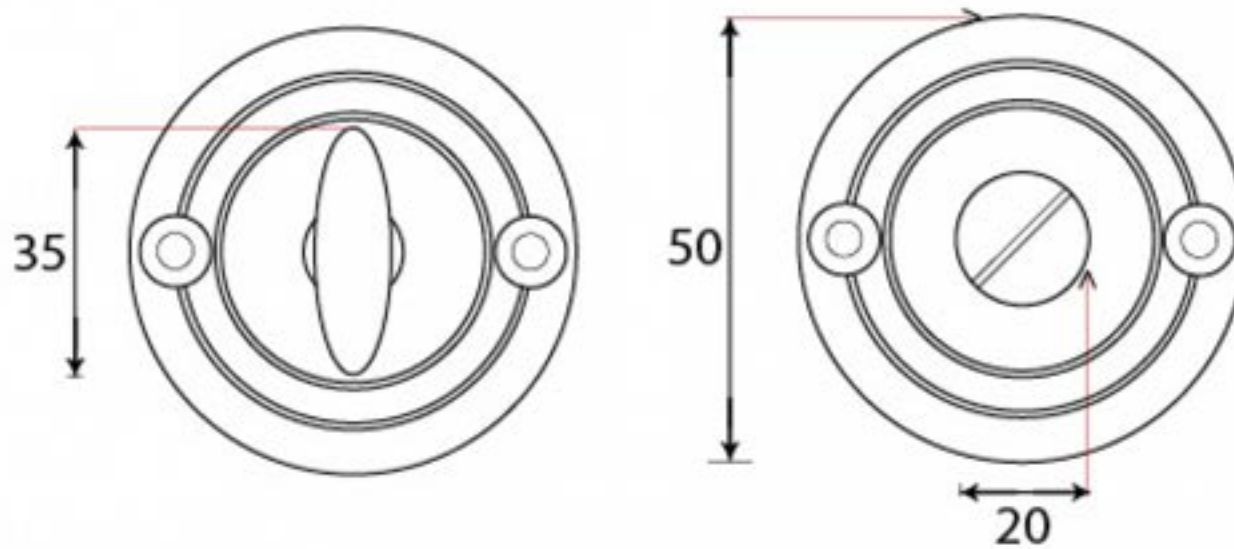


PRODUCT CODE 91930



3/4" (19mm)  
x4  
gauge 6 (3.5mm)



HANDFORGED  
TRADITIONAL  
IRONMONGERY



Due to the hand crafted nature of our products all measurements are approximate and should be used as a guide only