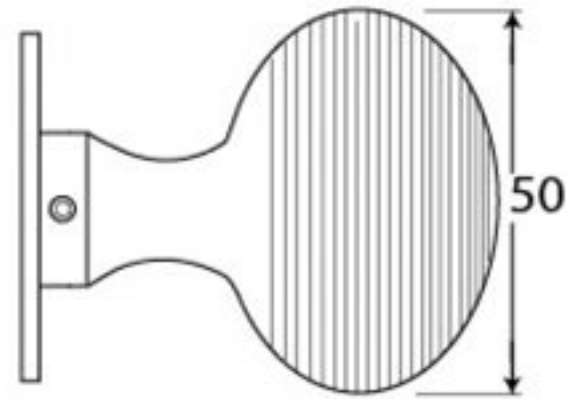
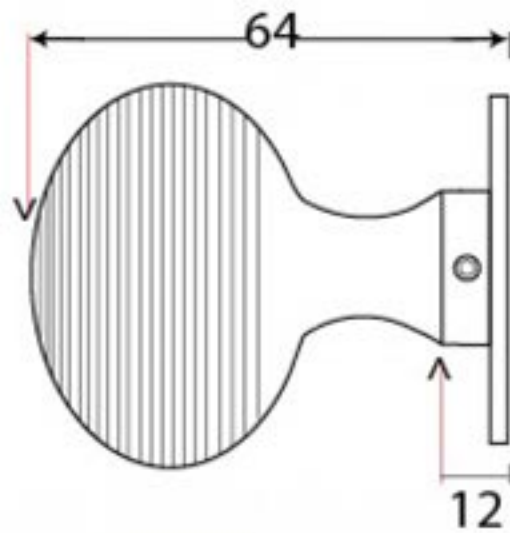
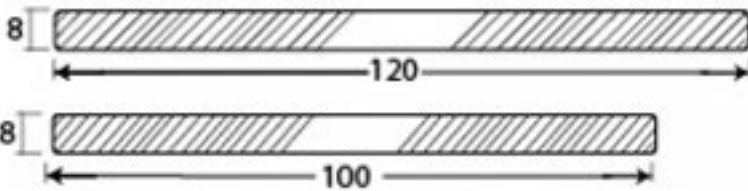
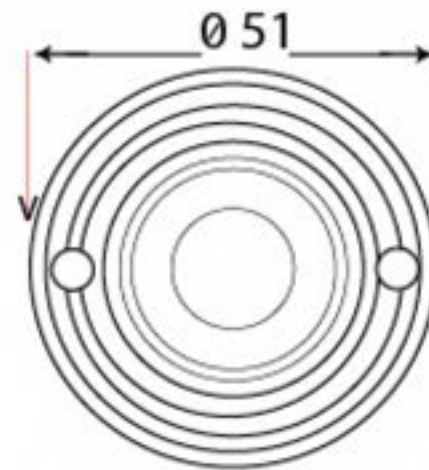
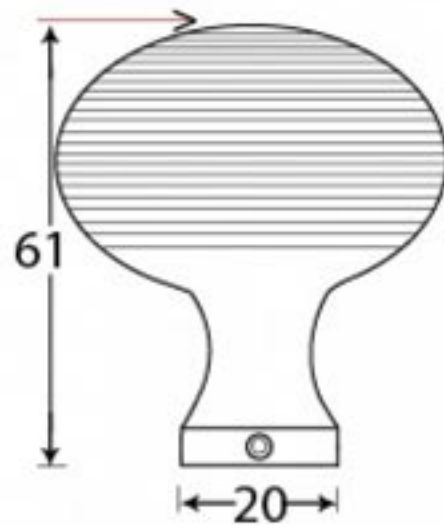


PRODUCT CODE 91926



3/4" (19mm)
x4
gauge 4 (3mm)

Detail drawing showing the texture of the handle head, consisting of four rows of small, pointed protrusions. The spacing between rows is 3/4" (19mm) and the width of each row is gauge 4 (3mm).



HANDFORGED
TRADITIONAL
IRONMONGERY



Due to the hand crafted nature of our products all measurements are approximate and should be used as a guide only