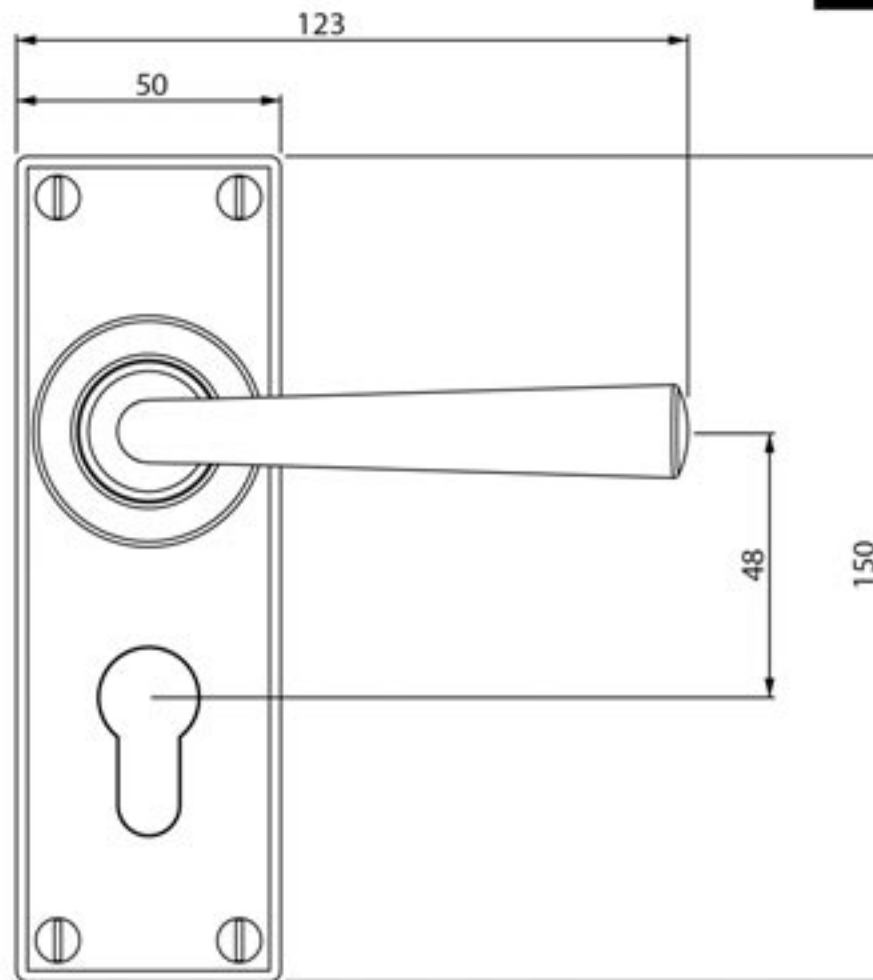
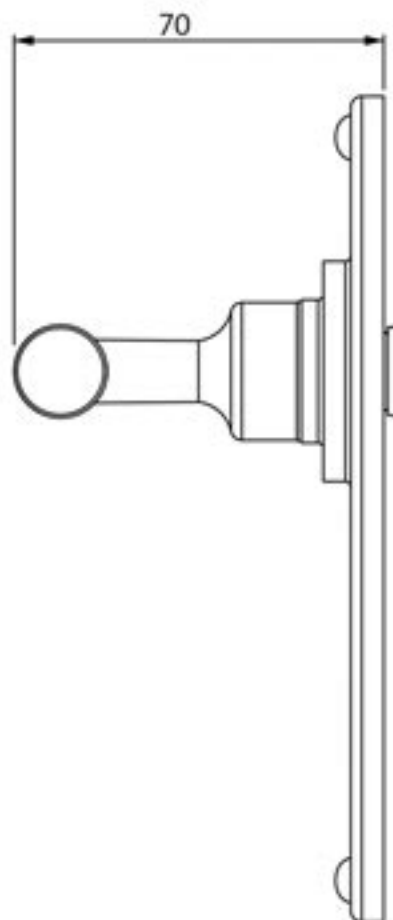


Stonebridge Euro Lock Lever

**ALL DIMENSIONS IN  
MM UNLESS STATED**

THE CONTENTS OF THIS DRAWING ARE COPYRIGHT AND SHOULD NOT BE REPRODUCED WITHOUT THE PERMISSION OF DBI ENGINEERING



				QTY	
		<b>FOR ACTUAL COLOUR REFER TO MAIN WEB PAGE FOR THIS ITEM.</b>	<b>DESCRIPTION</b>	<b>DRG.</b>	D. Urwin
			Stonebridge Lever Euro Lock Backplate (Padstow).	<b>DATE</b>	03/10/18
1	03/10/18	<b>COLOUR HERE FOR DIMENSION PURPOSES ONLY.</b>	<b>LT REF.</b>	<b>SCALE</b>	N/A
<b>ISSUE</b>	<b>DATE</b>		<b>MATL.</b>	<b>CODE</b>	Euro Lock Lever
			H:\Finiss & Stonebridge Handle Hardware\Stonebridge-CAD\ Dim Dwgs\pdf		
			Forged Steel (flat black & satin steel)		