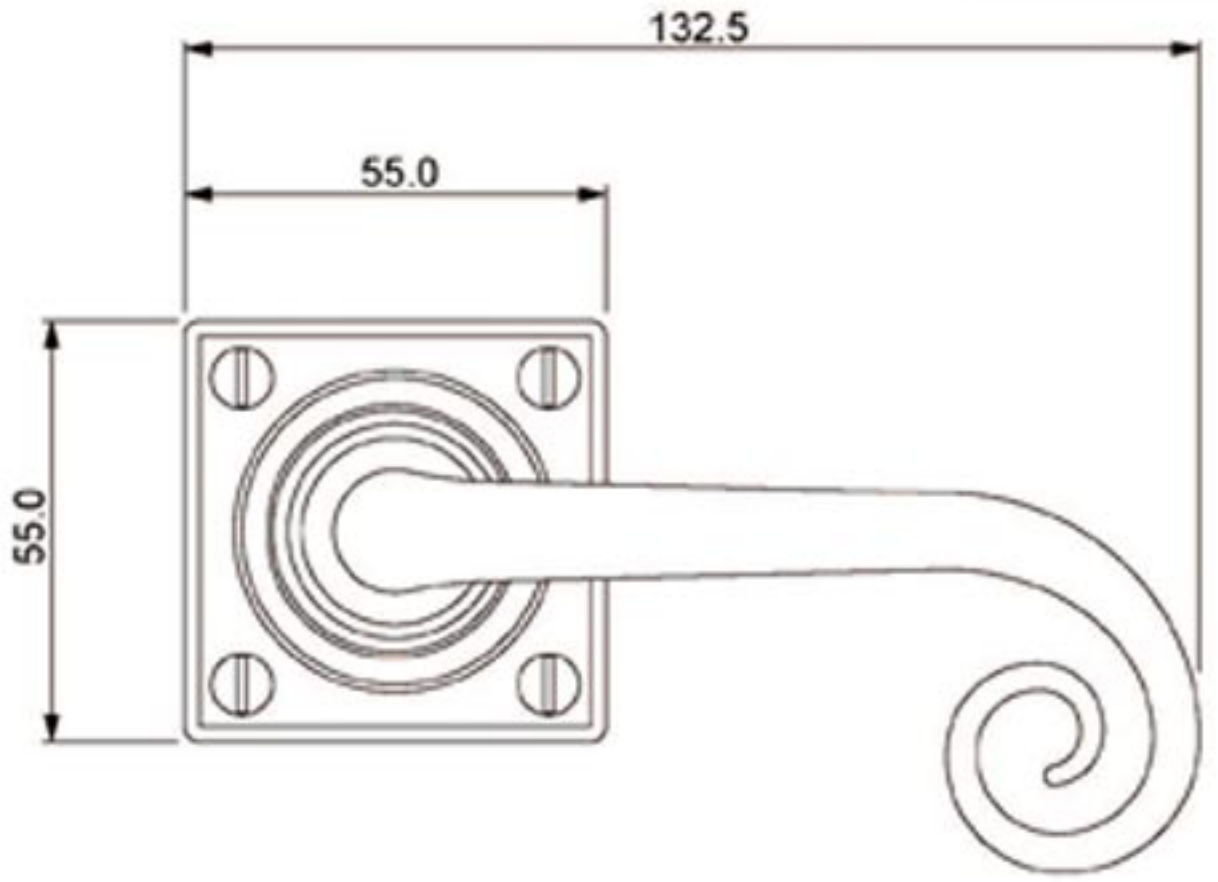
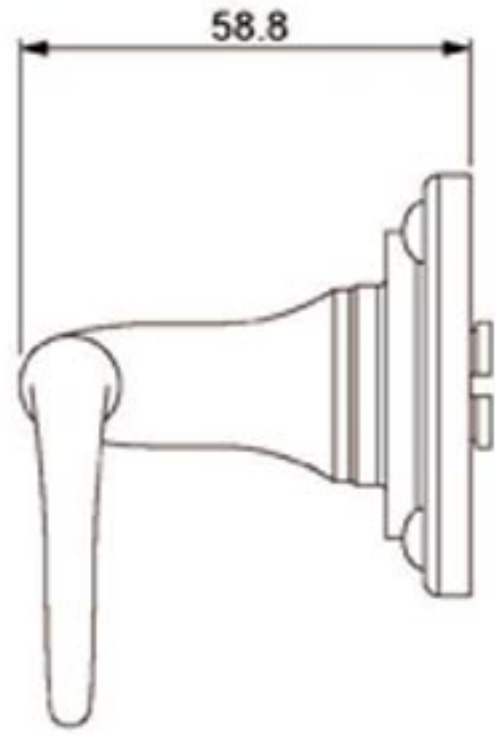


P/N. SS1056

ALL DIMENSIONS IN MM UNLESS STATED

THE CONTENTS OF THIS DRAWING ARE COPYRIGHT AND SHOULD NOT BE REPRODUCED WITHOUT THE PERMISSION OF EDE SHYDERAD



					QTY
			DESCRIPTION		DRG. D. Urwin
			SS1056 Curl Door Lever Square on Rose Backplate.		DATE 03/10/18
1	03/10/18		LT REF.	For Files & Stonebridge Handle Hardware/Stonebridge-CAD/Des Dwg/SS1056.pdf	SCALE N/A
ISSUE	DATE	REVISION	MATL.	Forged Steel (satin steel finish)	CODE SS1056