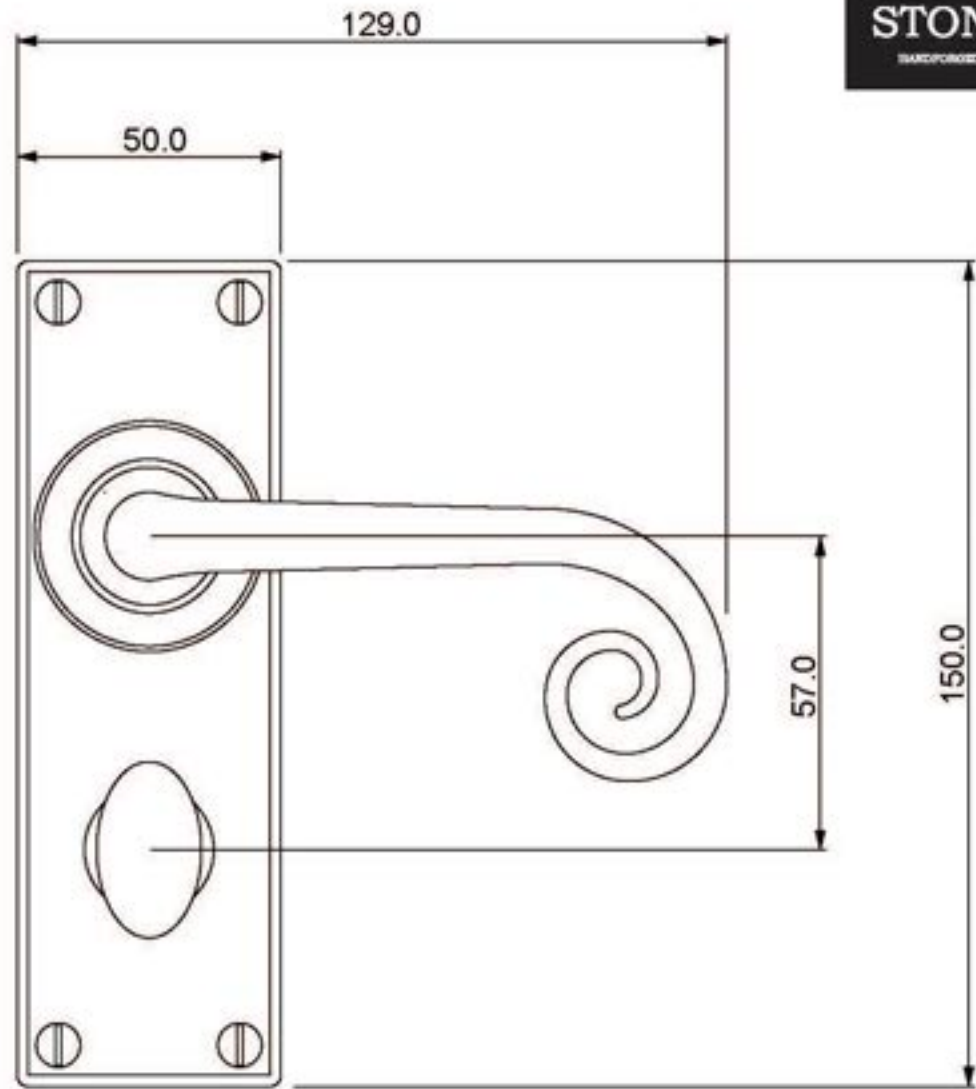
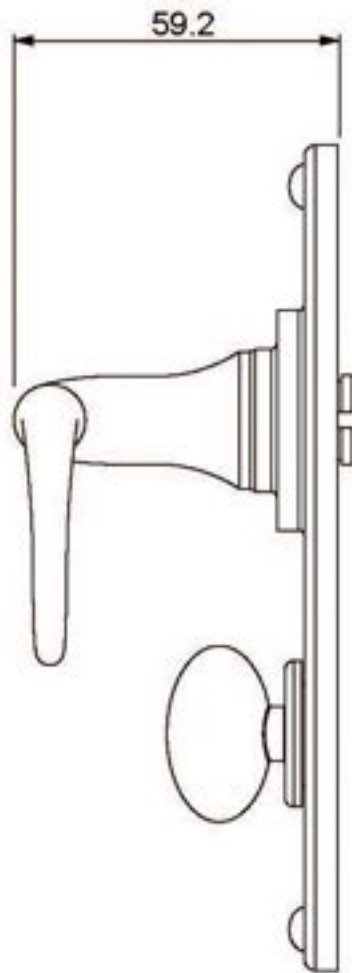


P/N. SS1058

ALL DIMENSIONS IN
MM UNLESS STATED

THE CONTENTS OF THIS DRAWING ARE COPYRIGHT AND SHOULD NOT BE
REPRODUCED WITHOUT THE PERMISSION OF DJH ENGINEERING



QTY	
DRG.	D. Urwin
DATE	28/01/19
SCALE	N/A
CODE	SS1058

DESCRIPTION

SS1058 Curl Door Lever on Bathroom Backplate.

LT REF.

H:\Fines & Stonebridge Handle Hardware\Stonebridge-CAD\Dim Dwgs\SS1058.pdf

MATL.

Forged Steel (satin steel finish)

ISSUE	DATE	REVISION
1	28/01/19	