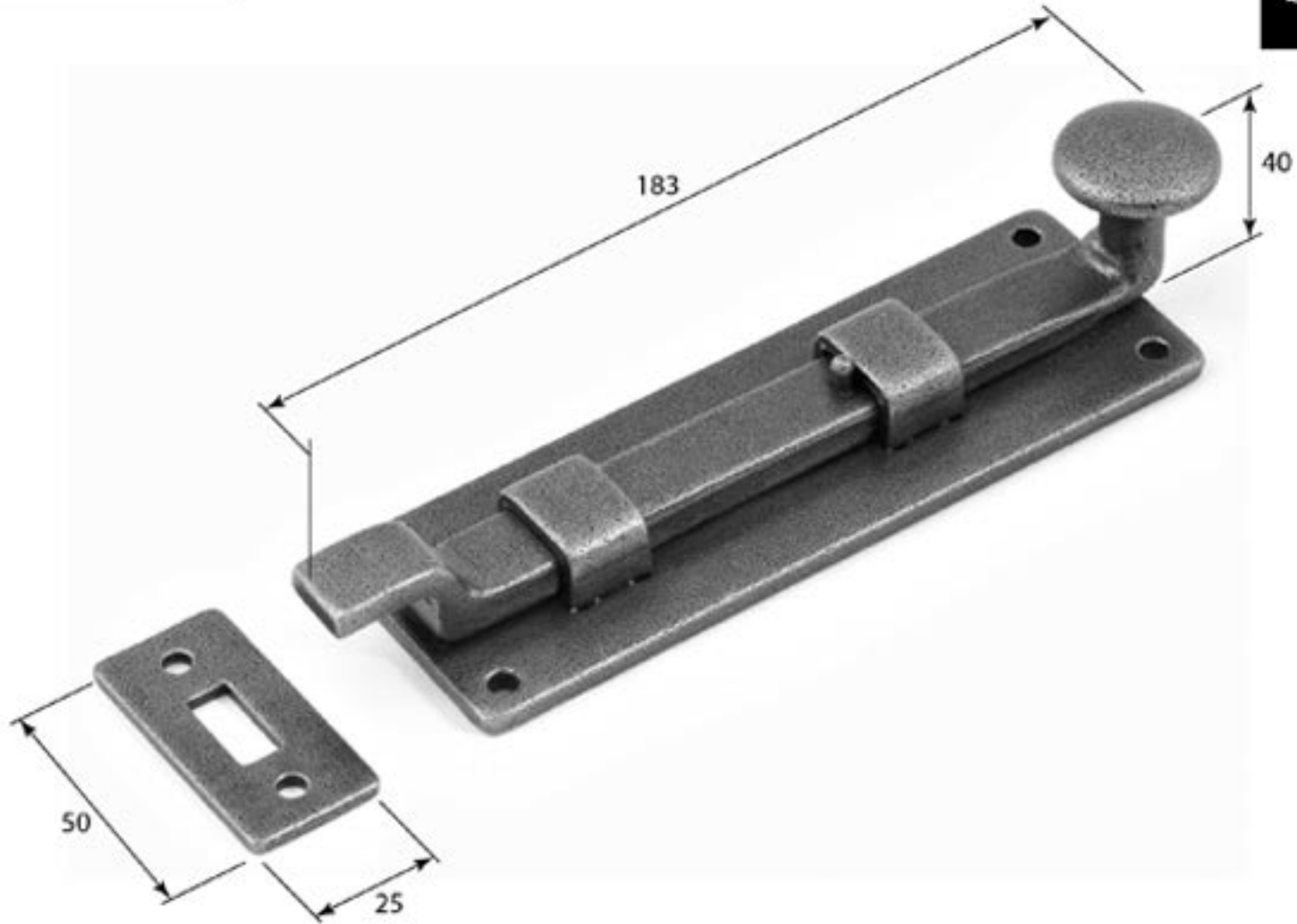


Stonebridge 6" Knob Bolt Cranked

ALL DIMENSIONS IN MM UNLESS STATED

THE CONTENTS OF THIS DRAWING ARE COPYRIGHT AND SHOULD NOT BE REPRODUCED WITHOUT THE PERMISSION OF DRG GROUP LTD.



QTY	
DRG.	D. Urwin
DATE	28/01/19
SCALE	N/A
CODE	6" Cranked Knob Bolt.

		FOR ACTUAL COLOUR REFER TO MAIN WEB PAGE FOR THIS ITEM.	DESCRIPTION			
			Stonebridge 6" Knob Bolt - Cranked.			
1	28/01/19	COLOUR HERE FOR DIMENSION	LT REF.	Hv/Iness & Stonebridge Handle Hardware/Stonebridge-CAD/Dim Dwgs/pdf	SCALE	N/A
ISSUE	DATE	PURPOSES ONLY.	MATL.	Forged Steel (flat black & satin steel)	CODE	