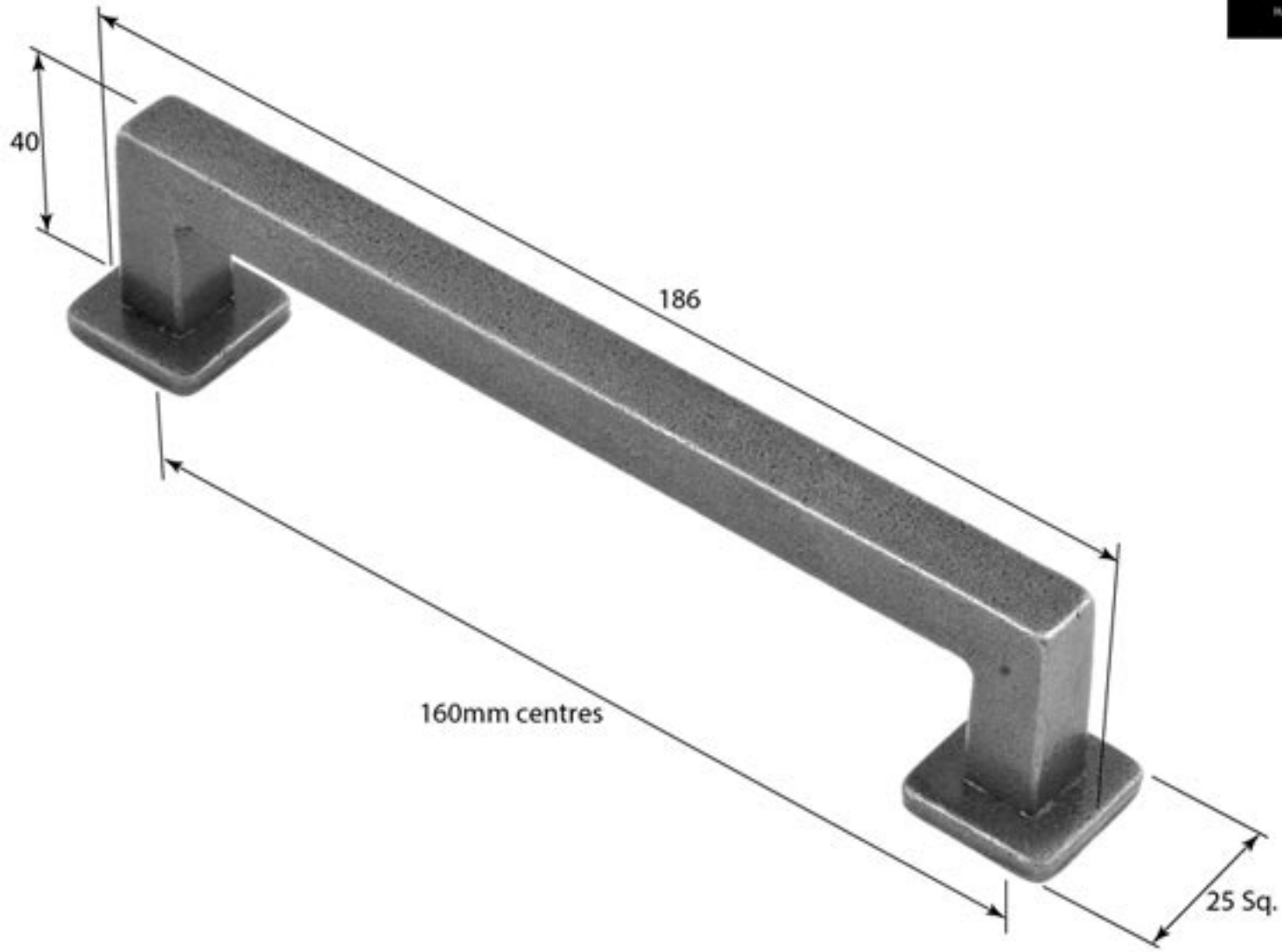


Stonebridge Pull Handle

**ALL DIMENSIONS IN  
MM UNLESS STATED**

THE CONTENTS OF THIS DRAWING ARE COPYRIGHT AND SHOULD NOT  
BE REPRODUCED WITHOUT THE PERMISSION OF D/IH GROUP LTD



QTY

		<b>FOR ACTUAL COLOUR REFER TO MAIN WEB PAGE FOR THIS ITEM.</b>	<b>DESCRIPTION</b> Stonebridge Pull Handle (Fulford).	<b>DRG.</b>	D. Urwin
				<b>DATE</b>	15/10/18
1	15/10/18	<b>COLOUR HERE FOR DIMENSION PURPOSES ONLY.</b>	<b>LT REF.</b> <small>H:\Finest &amp; Stonebridge Handle Hardware\Stonebridge-CAD\Dim Dwg\pdf</small>	<b>SCALE</b>	N/A
<b>ISSUE</b>	<b>DATE</b>		<b>MATL.</b> Forged Steel (flat black & satin steel)	<b>CODE</b>	Pull Handle