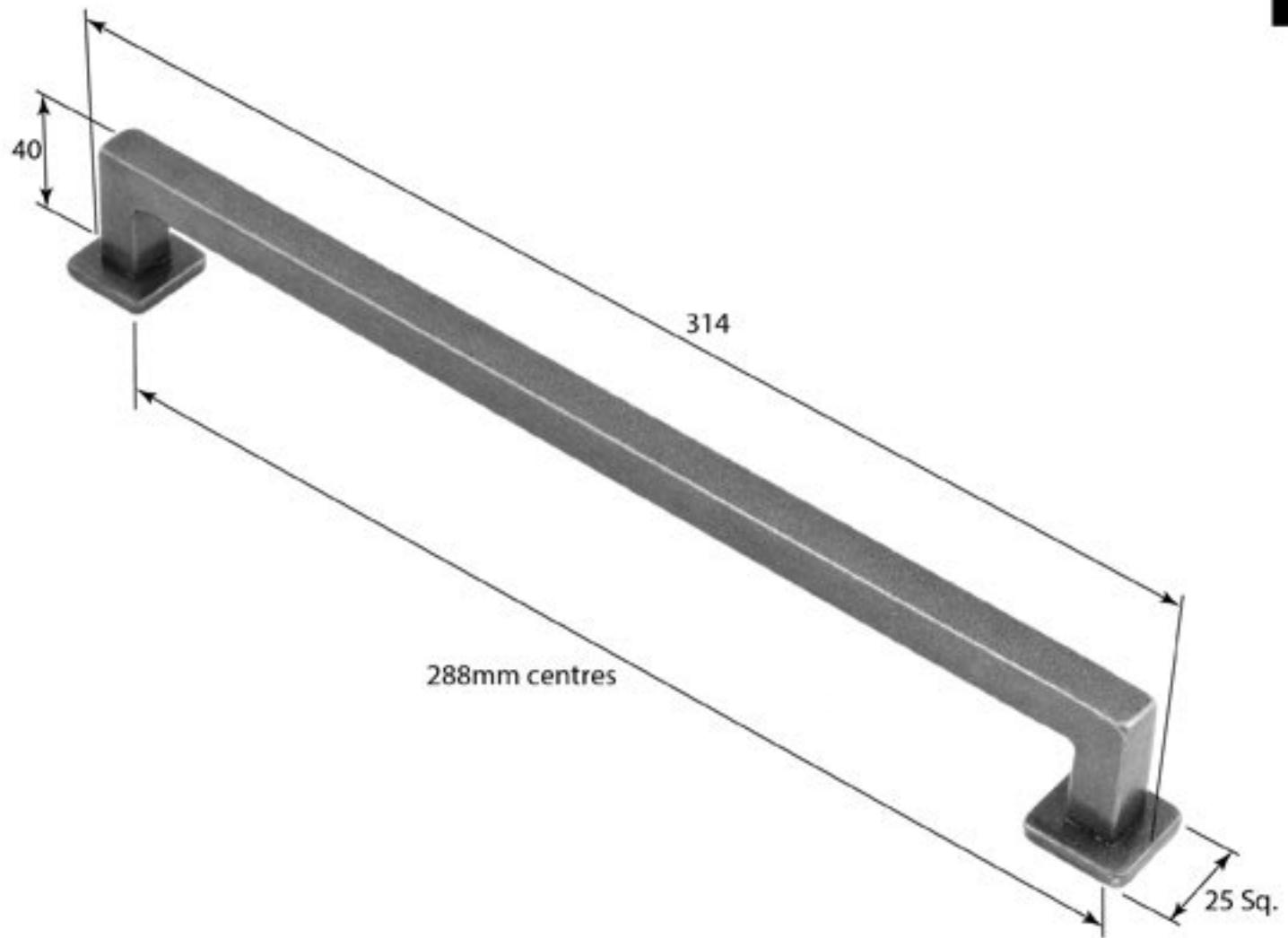


Stonebridge Pull Handle

**ALL DIMENSIONS IN MM UNLESS STATED**

THE CONTENTS OF THIS DRAWING ARE COPYRIGHT AND SHOULD NOT BE REPRODUCED WITHOUT THE PERMISSION OF DJH GROUP LTD



				QTY	
		<b>FOR ACTUAL COLOUR REFER TO MAIN WEB PAGE FOR THIS ITEM.</b>	<b>DESCRIPTION</b>		<b>DRG.</b>
			Stonebridge Pull Handle (Fulford).		D. Urwin
1	15/10/18	<b>COLOUR HERE FOR DIMENSION</b>	<b>LT REF.</b>	H\Finess & Stonebridge Handle Hardware/Stonebridge-CAD/Dim Dwgs/.pdf	<b>DATE</b>
					15/10/18
<b>ISSUE</b>	<b>DATE</b>	<b>PURPOSES ONLY.</b>	<b>MATL.</b>	Forged Steel (flat black & satin steel)	<b>SCALE</b>
					N/A
					<b>CODE</b>
					Pull Handle