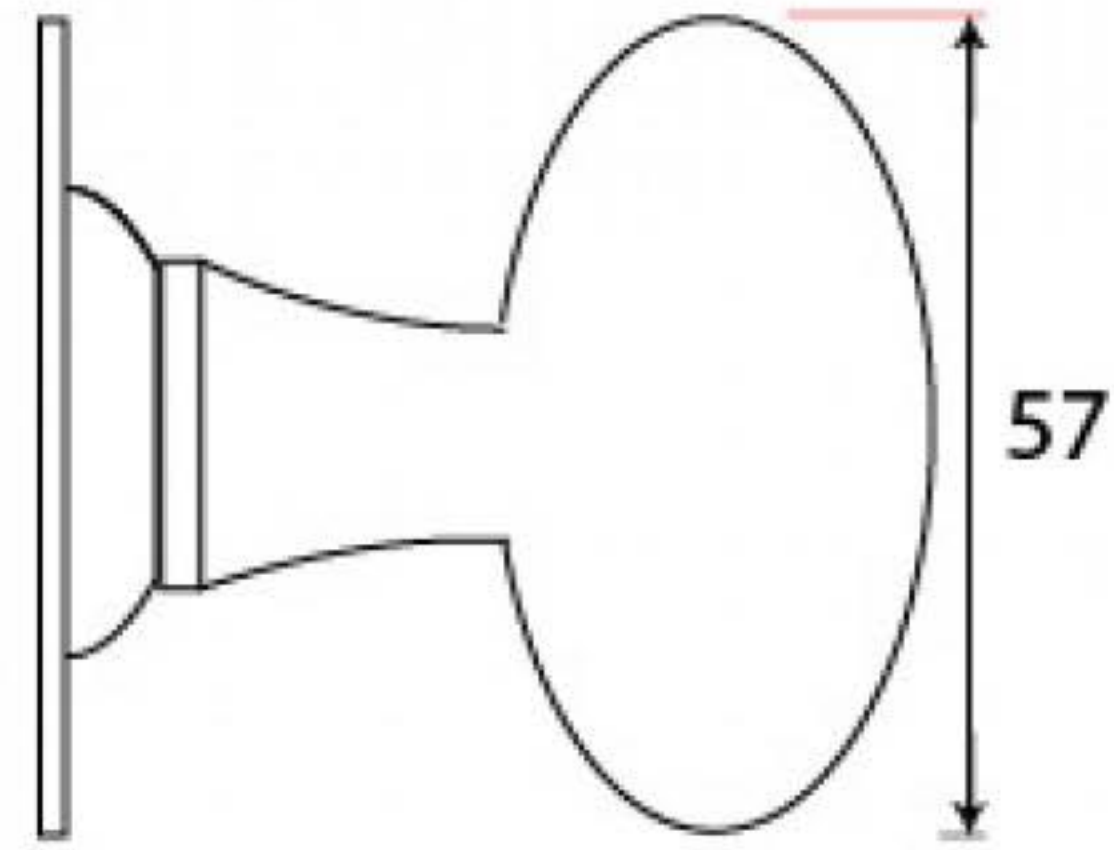
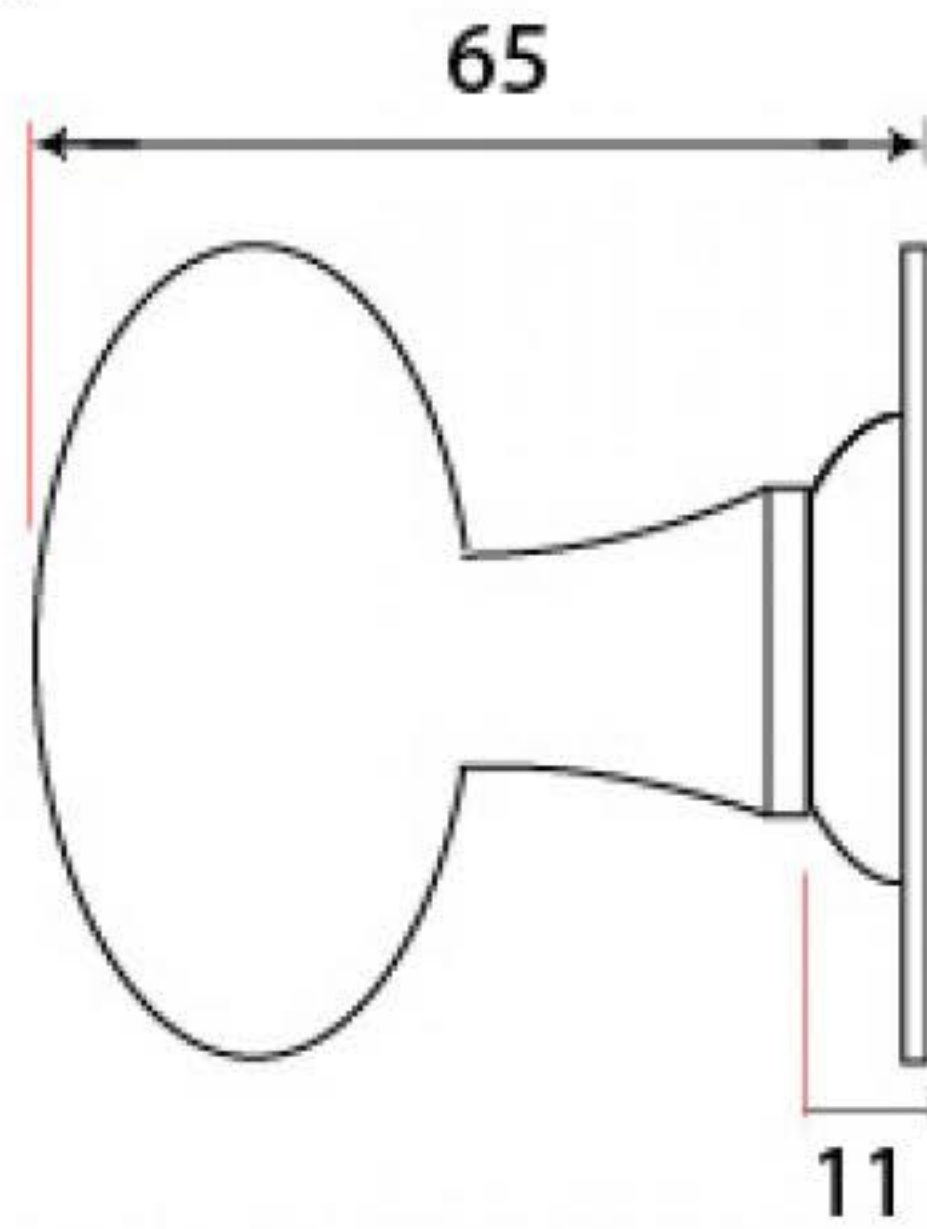
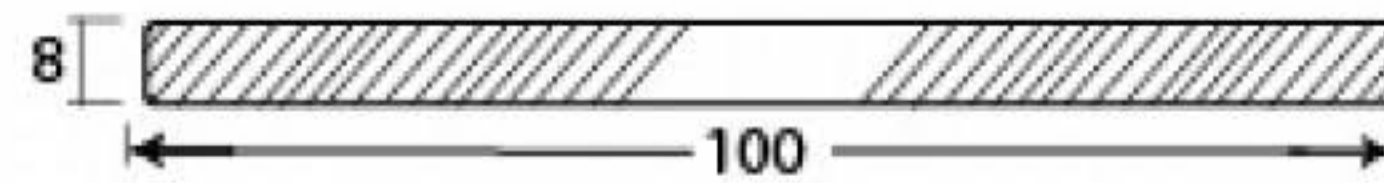
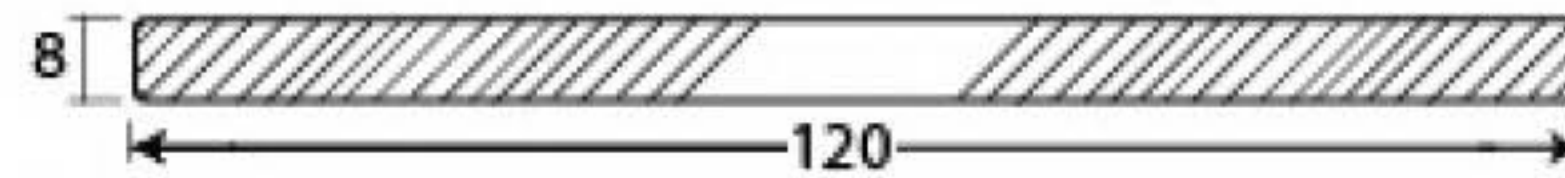
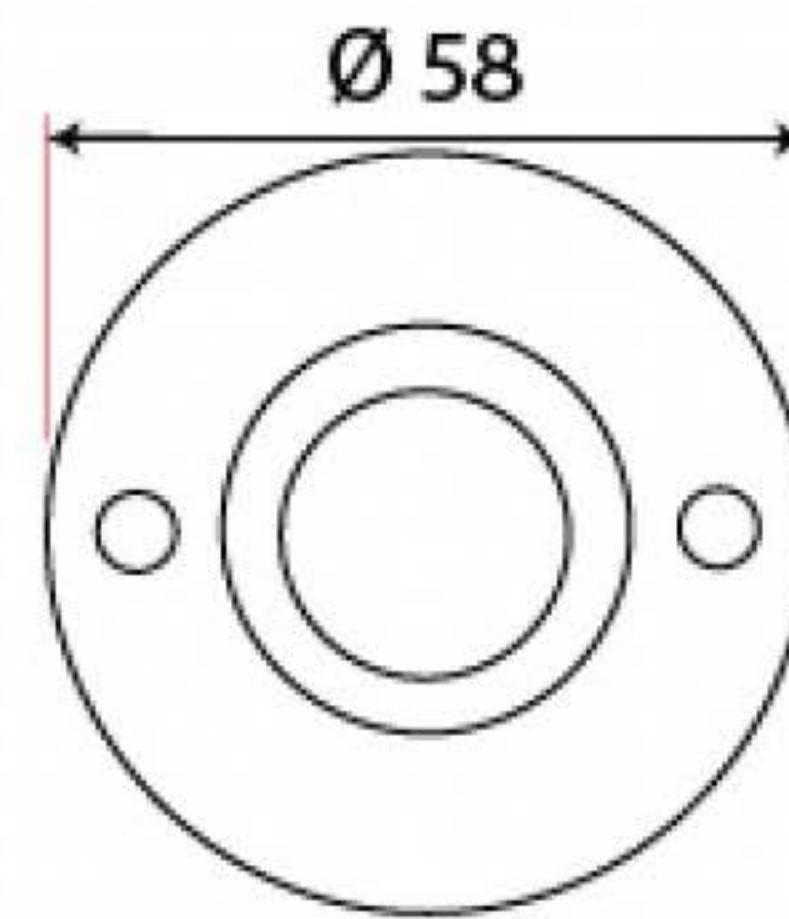
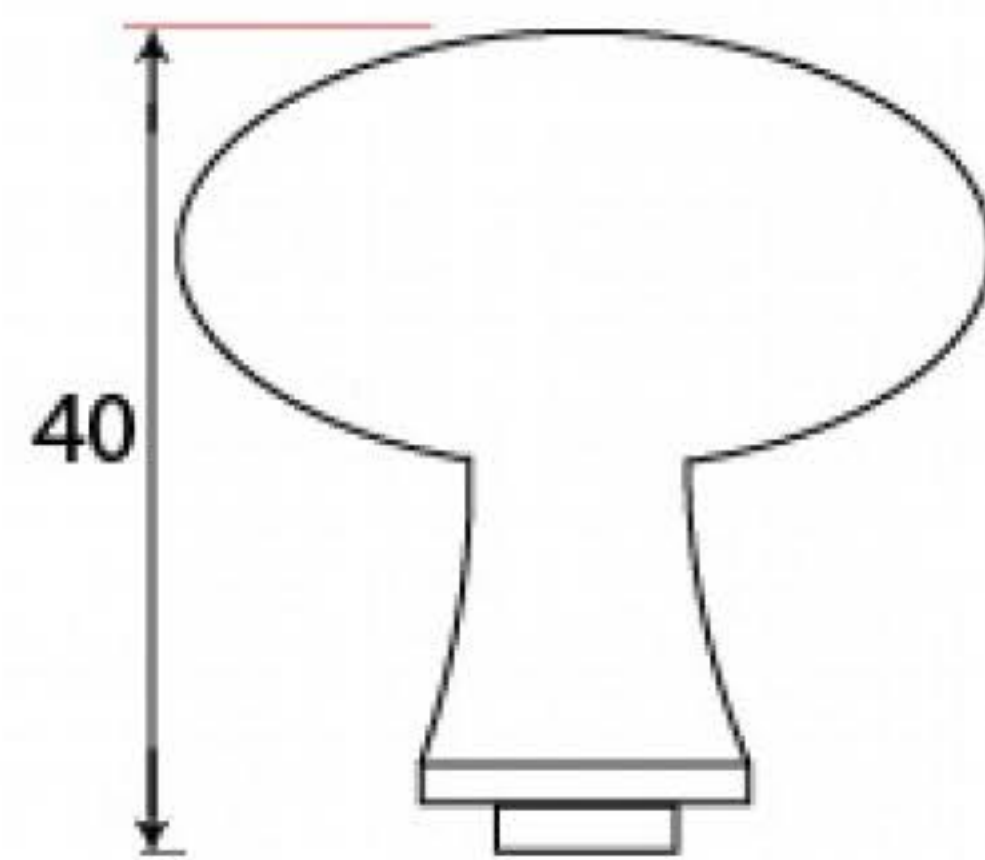


PRODUCT CODE 91975



3/4" (19mm)
x4
gauge 6 (3.5mm)

This detail shows a spring with a length of 3/4 inch (19mm) and a gauge of 6 (3.5mm). There are four such springs used in the product.



HANDFORGED
TRADITIONAL
IRONMONGERY



Due to the hand crafted nature of our products all measurements are approximate and should be used as a guide only