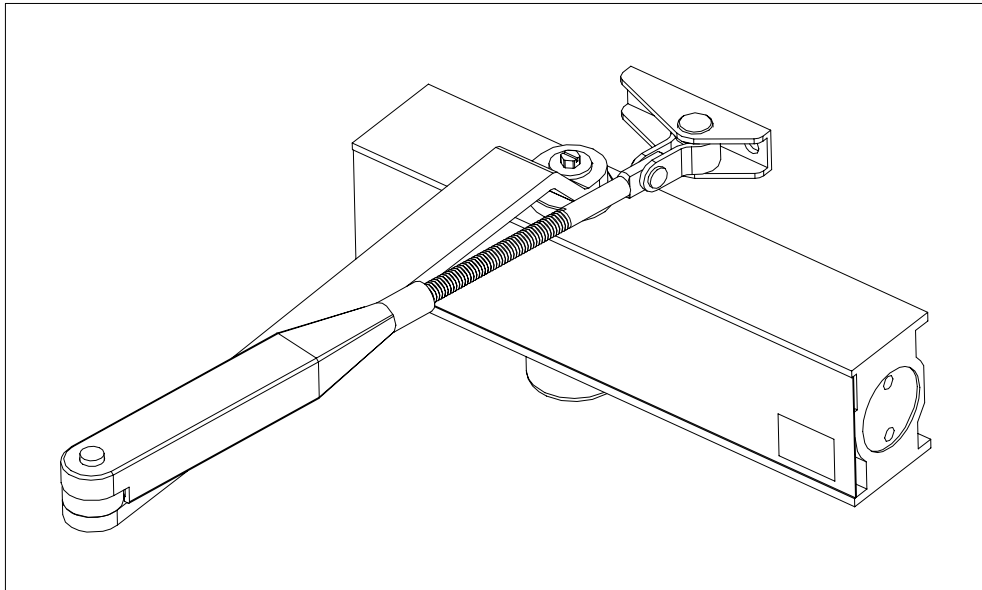


# Installation Instructions

## Overhead Door Closer – Model DCT2024



<b>CE</b>	Eurospec Architectural Hardware Ltd Stancliffe Street, Mill Hill Blackburn, BB2 2QR					
	1121 - CPD - AD0197					
EN 1154:1996 + A1:2002	4	8	$\frac{4}{2}$	1	1	3

### IMPORTANT INFORMATION

#### Selecting the correct door closer to suit door size

Power Size	Max. Width of Door	Max. Mass of Door
2	850mm	40Kg
3*	950mm	60Kg
4	1100mm	80Kg
5	1250mm	100Kg
6	1400mm	120Kg

\*Minimum size for use on fire doors



#### Important notes:

- Minimum size 3 MUST be used on fire doors
- Hold open arms must NOT be used on fire doors

This product is non handed and can be fitted on both left handed and right handed doors.

### Maintenance

Check that the door closer closes the door correctly and adjust as necessary. Ensure fixing screws are tight and periodically apply light oil or grease to arm knuckle joint

Tel: +44 (0) 1254 274100  
Fax: +44 (0) 1254 274111  
Web: [www.eurospec.co.uk](http://www.eurospec.co.uk)

**PLEASE LEAVE THESE INSTRUCTIONS WITH THE END USER**

**Fig 1 – Standard Application (Door closer fitted on pull face of door)**

Illustrations show anti-clockwise closing door

1. Ensure that the door & surrounding frame are in good condition & the door closes freely.
2. Select the correct hand of Fig. 1 easi-fit template and with the door in the closed position, stick template to top corner of door and frame. (See Figs. 1 & 2)
3. Determine the power size of door closer required. Drill pilot holes in door & frame according to template. Remove slide plate and fix door closer body with screws supplied, ensuring correct fitting holes are used (See Figs. 2 & 3)
4. Carefully detach link arm from adjuster arm & securely fix adjuster arm shoe to frame ensuring the shoe is rotated in the correct position to suit power size required. (See Fig. 4)
5. Place link arm onto closer spindle at right angles to door, fit securing screw, move link arm and re-connect to adjuster arm. (See Figs. 4 & 5)
6. Fit spindle cover cap to underside of closer. (See Fig. 5)
7. Check for correct closing & latching speeds. Adjust if necessary. (See Fig. 6)
8. Stick easi-exit logo onto indent of slide plate and refit to door closer. (See Fig.6)



**Note:** To adjust arm to suit depth of frame, loosen nut, adjust arm & re-tighten nut.

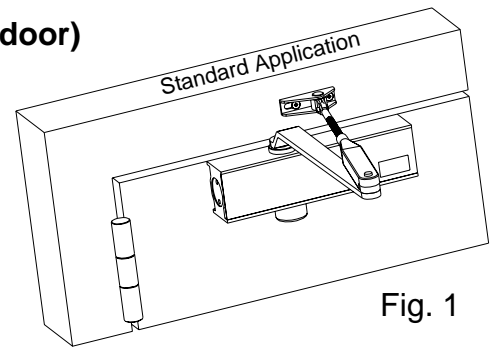


Fig. 1

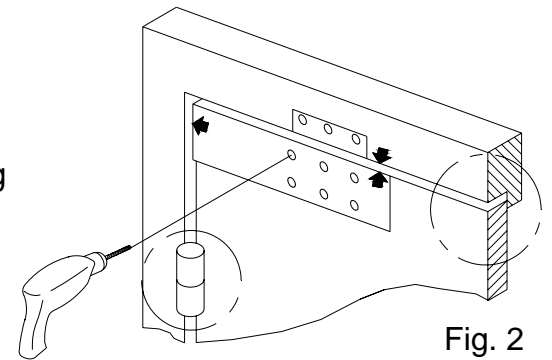


Fig. 2

USE THESE FITTING HOLES FOR POWER SIZES 3 & 4

USE THESE FITTING HOLES FOR POWER SIZE 2

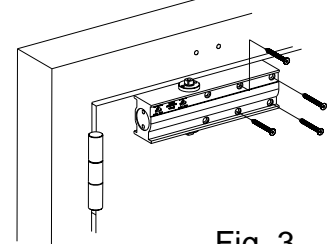
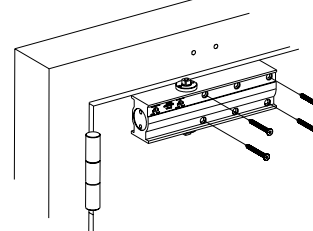


Fig. 3

SIZES 2 & 4

SIZE 3

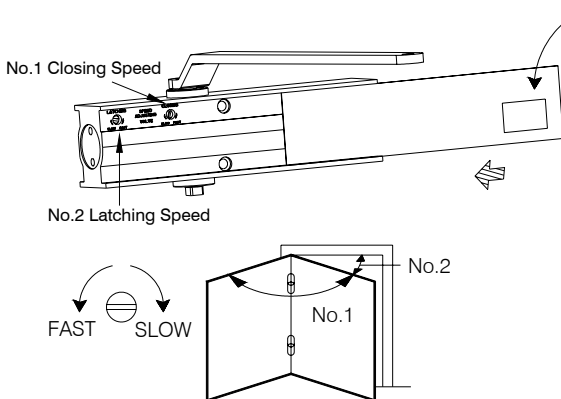
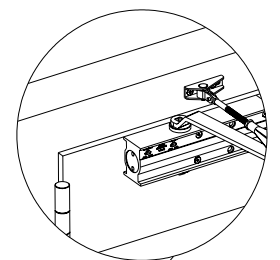
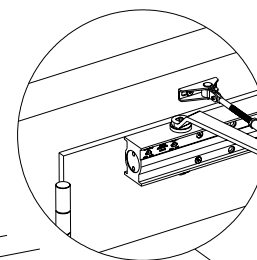


Fig. 6

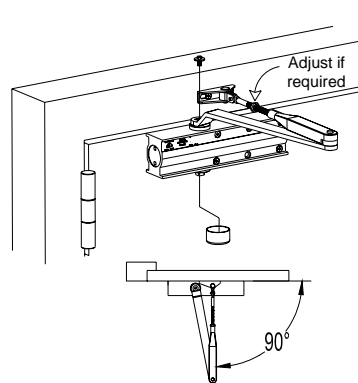


Fig. 5

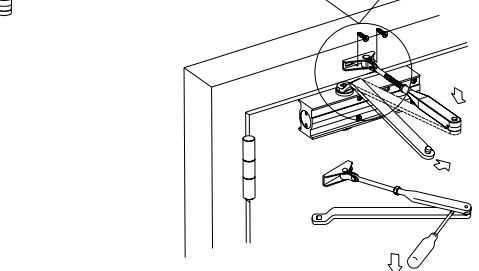


Fig. 4

**Fig 61 – Transom Mounting Application (Door closer fitted on frame on push side of door)**

**Illustrations show clockwise closing door**

1. Ensure that the door & surrounding frame are in good condition & the door closes freely.
2. Use Fig.1 easi-fit template and select correct hand of door. Stick template to top corner of door and frame, ensuring closer is mounted on frame and shoe is mounted on door. **(See Figs. 1 & 2)**
3. Determine the power size of door closer required. Drill pilot holes in door & frame according to template. Remove slide plate and fix door closer body with screws supplied, ensuring correct fitting holes are used **(See Figs. 2 & 3)**
4. Carefully detach link arm from adjuster arm & securely fix adjuster arm shoe to door ensuring the shoe is rotated in the correct position to suit power size required. **(See Fig. 4)**
5. Place link arm onto closer spindle at right angles to door, fit securing screw, move link arm and re-connect to adjuster arm. **(See Figs. 4 & 5)**

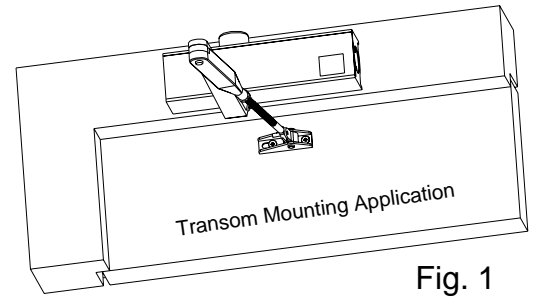


Fig. 1

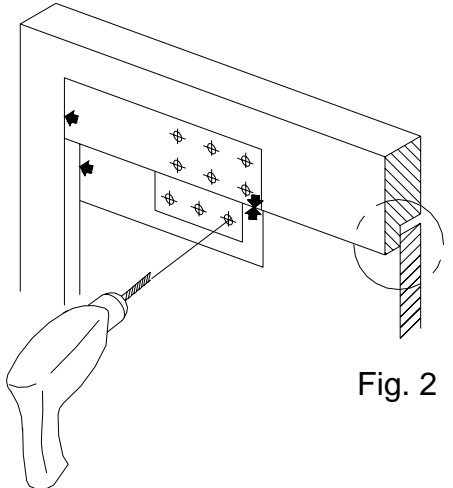


Fig. 2

USE THESE FITTING HOLES FOR POWER SIZES 3 & 4

USE THESE FITTING HOLES FOR POWER SIZE 2

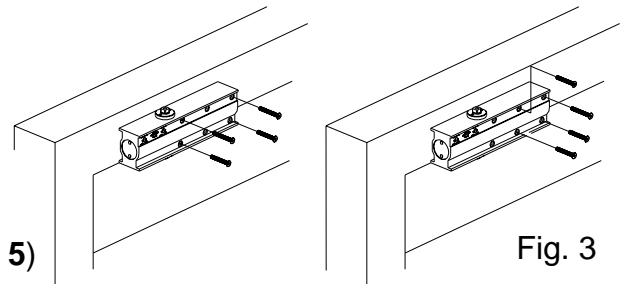



Fig. 3

 **Note:** To adjust arm to suit depth of frame, loosen nut, adjust arm & re-tighten nut.

6. Fit spindle cover cap to upperside of closer. **(See Fig. 5)**
7. Check for correct closing & latching speeds. Adjust if necessary. **(See Fig. 6)**
8. Stick easi-exit logo onto indent of slide plate and refit to door closer. **(See Fig.6)**

SIZES 2 & 4

SIZE 3

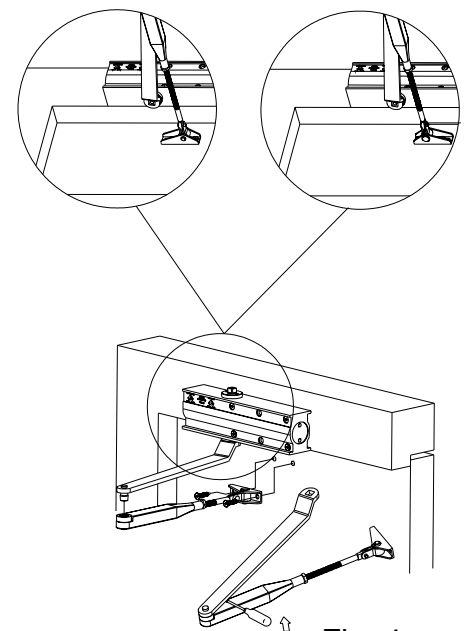


Fig. 4

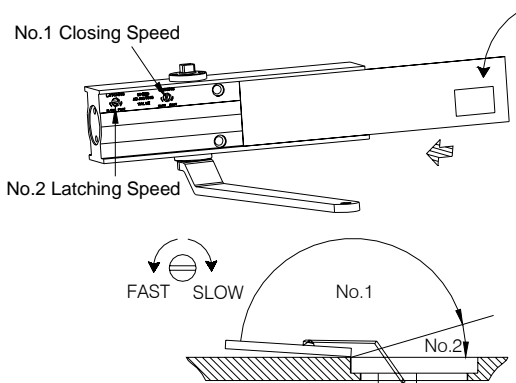


Fig. 6

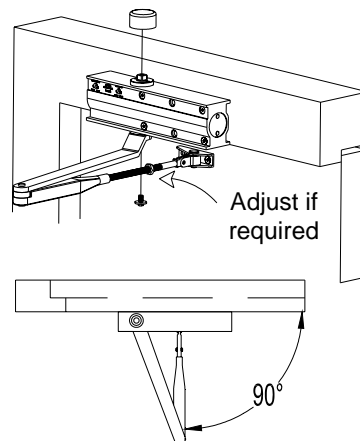




Fig. 5

 **Note:** Not suitable for power size 4 when fitting in Fig 61 application

**Fig 66 – Parallel Arm Application (Door closer fitted on push face of door)**

**Illustrations show clockwise closing door**

1. Ensure that the door & surrounding frame are in good condition & the door closes freely.
  2. Select the correct hand of Fig 66 easi-fit template and stick body of template to top corner of door. Fold and stick top of template to underside of frame. (See Figs. 1 & 2)
  3. Drill pilot holes in door & frame according to template. Remove slide plate and fix door closer body with screws supplied (see Figs. 2 & 3)
  4. Carefully detach link arm from adjuster arm & securely fix adjuster arm shoe to fig.66 bracket ensuring the shoe is rotated in the correct position as shown. (See Fig. 4)
  5. Place link arm onto closer spindle parallel to door, fit securing screw, move link arm and re-connect to adjuster arm. (See Figs. 4 & 5)
-  **Note:** Adjust arm length as required: Loosen nut, adjust arm & re-tighten nut.
6. Fit spindle cover cap to underside of closer. (See Fig. 5)
  7. Check for correct closing & latching speeds. Adjust if necessary. (See Fig. 6)
  8. Stick easi-exit logo onto indent of slide plate and refit to door closer. (See Fig.6)

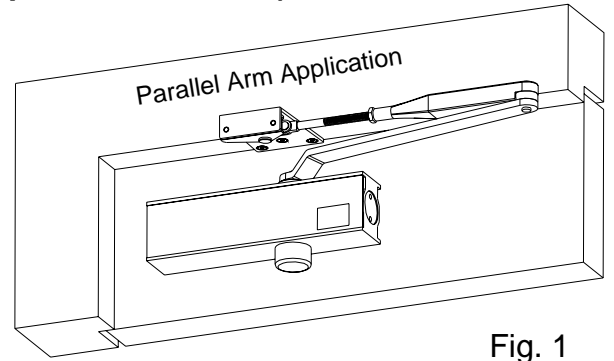


Fig. 1

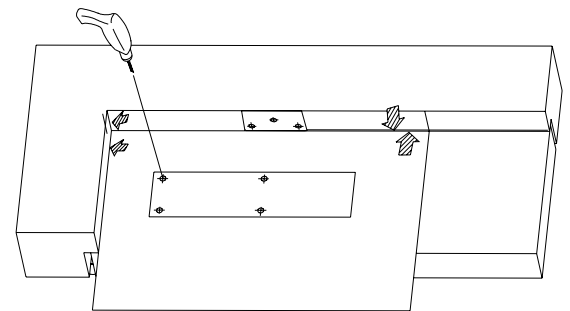


Fig. 2

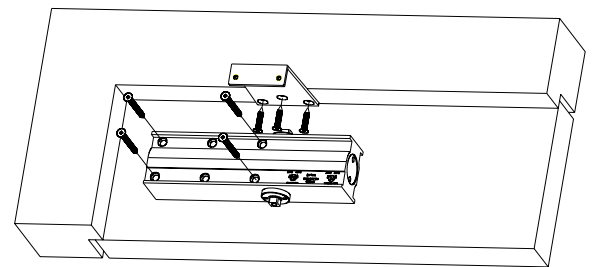


Fig. 3

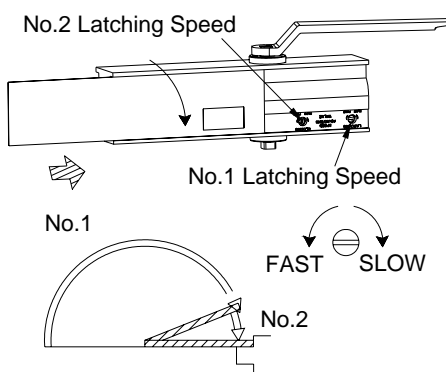


Fig. 6

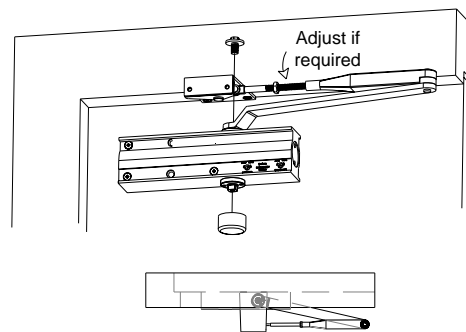


Fig. 5

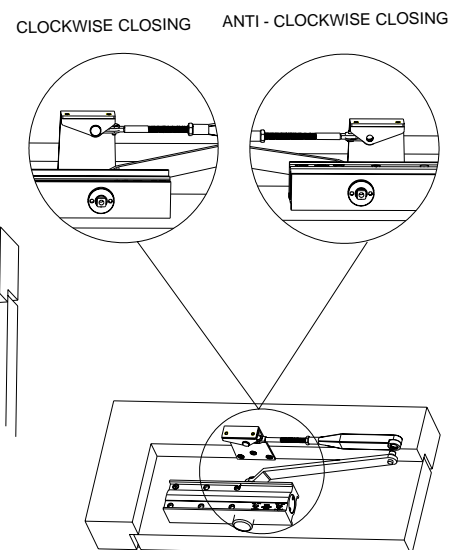


Fig. 4