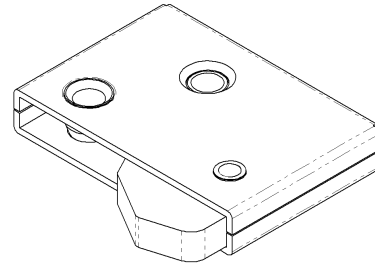
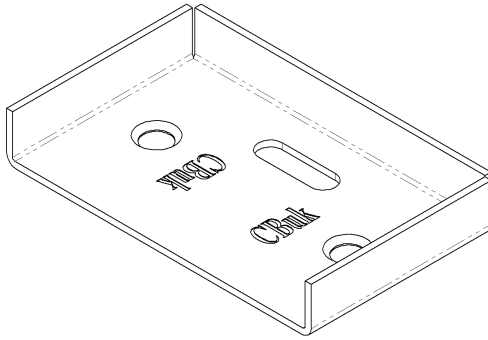
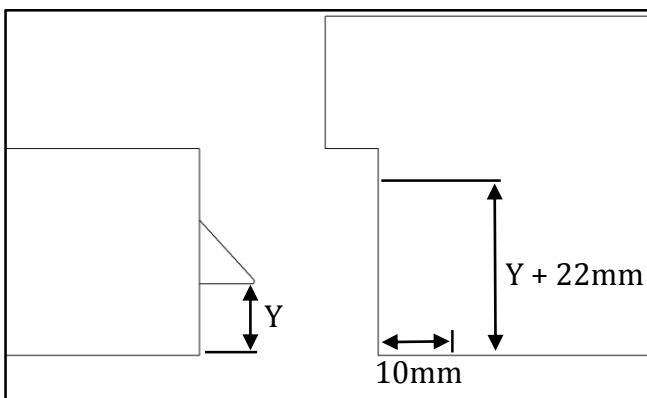
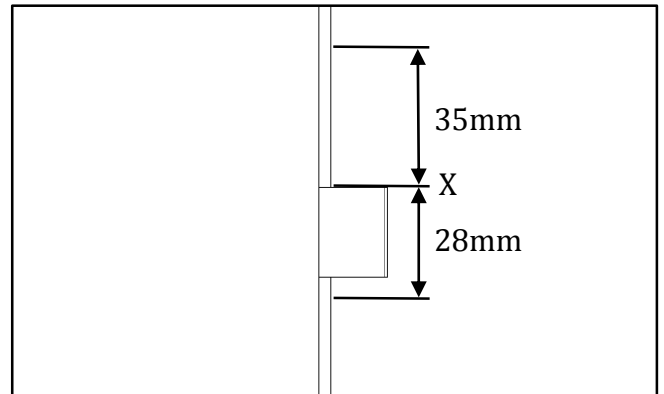


AA46 Fitting Instructions



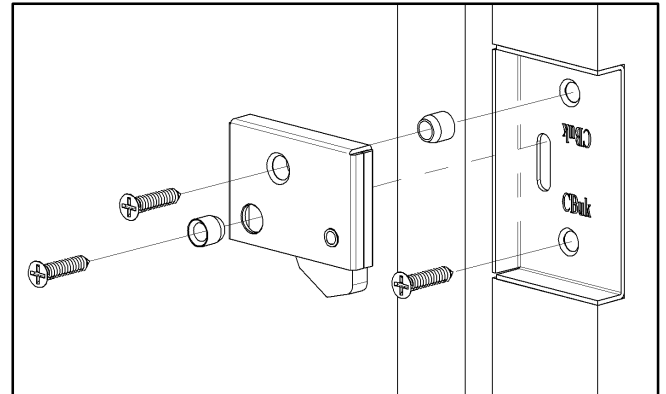
1. Mark line 'X' level with top edge of the bevelled spring latch bolt, onto the door frame.
2. Measure & mark 35mm above line 'X'.
3. Measure & mark 28mm below line 'X'.



4. Measure distance 'Y'
5. On door frame, mark 'Y' + 22mm from face of door frame.
6. Mortice cut-out to depth of 10mm.

AA46 Fitting Instructions

7. Fit easi-keep into mortice including the two steel spacers.
8. Operate the door to test action of easi-keep & adjust as required.
9. If using deadbolt, mortice & fit flat plate provided.



General Notes

Door closer tension may need to be reduced once the easi-keep has been fitted.

This product is designed to eliminate any resistance between the spring loaded latch bolt and the conventional strike plate.

If the spring latch bolt comes into contact with the outer body of the easi-keep then increase the mortice depth accordingly.

