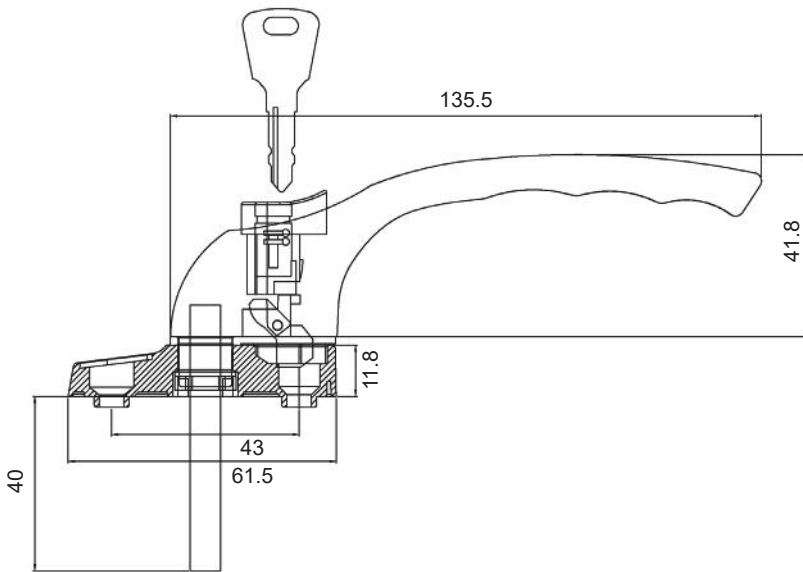


# TECHNICAL DATA SHEET



## U0101 INLINE WINDOW HANDLE



**[ PRODUCT CODE ]** U0101WA / U0101BA

**[ FINISH ]** White Powder Coat / Black Powder Coat

**[ BODY MATERIAL ]** Aluminium

**[ DIMENSIONS ]** Length 135.5mm + Projection 41.8mm + 43mm Centres

**[ SPECIFICATIONS ]** Inline Window Handle (Lockable 1 Key Supplied)

**[ SUITABILITY ]** Internal + Domestic + Commercial

Contact us for more information on:

0121 667 8054

[sales@accesshardware.co.uk](mailto:sales@accesshardware.co.uk)

[www.accesshardware.co.uk](http://www.accesshardware.co.uk)

