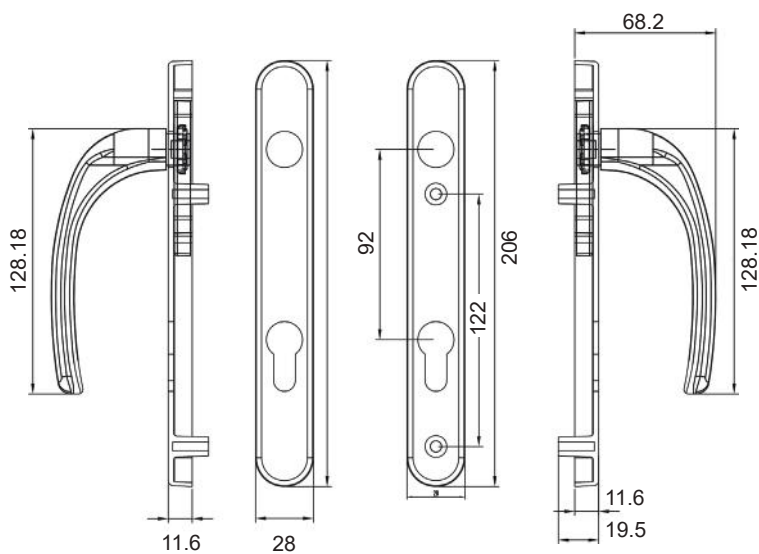


TECHNICAL DATA SHEET



U5001 UPVC EURO PLATE HANDLES



[PRODUCT CODE] U5001BA / U5001WA

[FINISH] White Powder Coat / Black Powder Coat

[BODY MATERIAL] Aluminium

[DIMENSIONS] Plate Height 206mm + Width 28mm + Projection 68mm
Fixing Centres 122mm + Lock Centres 92mm

[SPECIFICATIONS] Euro Plate Door Handles (Set)

[SUITABILITY] External + Domestic + Commercial

Contact us for more information on:

0121 667 8054

sales@accesshardware.co.uk

www.accesshardware.co.uk

